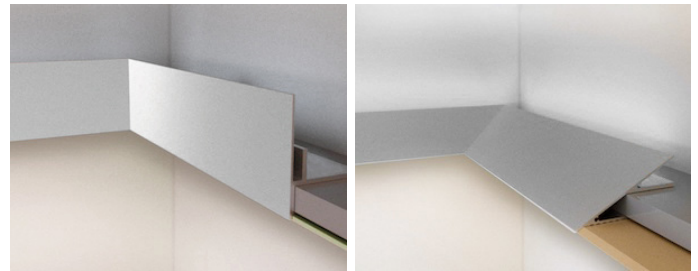


## Aluminum Cove System

ARCHITECTURAL COVE LIGHTING



### APPLICATION

The Aluminum Cove System is a prefabricated cove designed for use with multiple Tempo linear LED lighting fixtures for accent lighting or the award winning prl meFX wall mounted linear LED which provides the primary level of general illumination to a space.

The patented extruded aluminum design in Square or Knife Edge profiles provides simple and fast installation with a sharp, modern look. Designed with Drywall Contractors to cut down costs on labor and material associated with cove framing and installation.

### FEATURES & BENEFITS

- Manufactured in USA.
- Cuts Framing labor by up to 50% and Finishing labor by up to 75%.
- Eliminates corner beads and contractor punch out work.
- Patented design mounts directly onto 5/8" drywall or Fiberock<sup>®</sup>.
- Pre-fabricated inside and outside corners plus end caps eliminates need to miter corners in the field.
- Factory primed - ready for paint.
- Simply insert, fasten and finish.
- Provides a flat and level surface for LED linear lighting.

### CONSTRUCTION

- Extruded 6063 aluminum, low-profile Knife Edge.
- Extruded 6063 aluminum Square Face designs in 1.75", 3.0" or 4.0" heights.
- Shipped in 10ft sections.
- White primer inside and out provides ideal light output without the need to paint inside of cove.
- Screw-less aluminum connector "keys" provide perfect connection between sections and corners.
- Mounting hardware provided for drywall installation.
- For interior use only.

### ORDERING

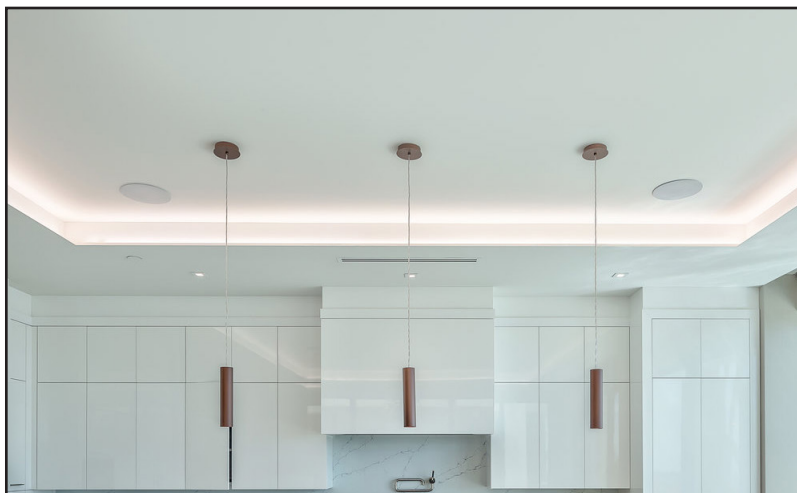
- Must provide room layout, blueprint or shop drawing with space dimensions to prepare a quote.

**Buy Tempo**  
**Buy American**

**MADE IN**  
**USA**   
OF US AND IMPORTED COMPONENTS

### WARRANTY

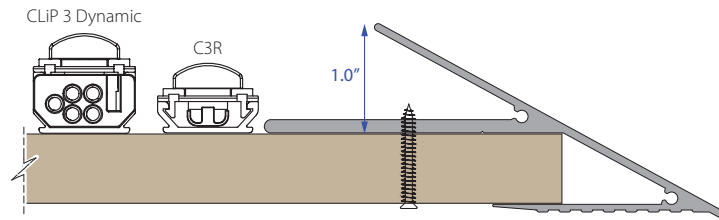
Tempo provides a 5-year limited warranty.



## RECOMMENDED TEMPO LINEAR LED MODELS (Fixtures sold separately)

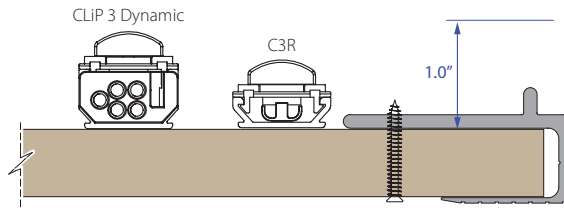
### KNIFE EDGE COVE

- CLiP 3 dynamic
- C3



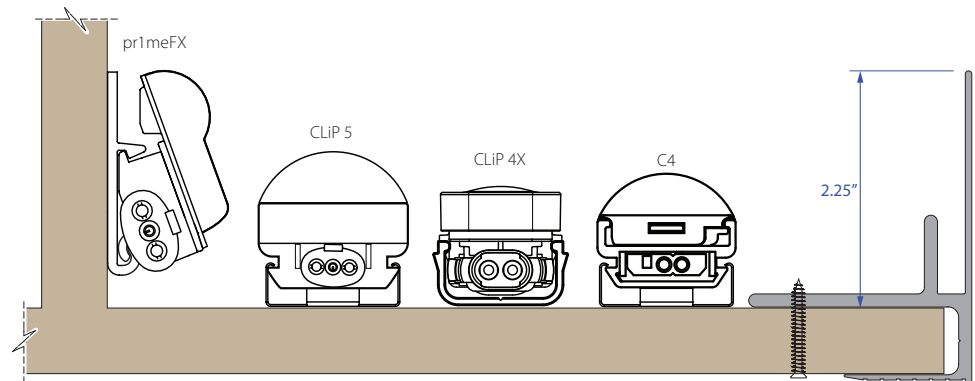
### 1.75" SQUARE EDGE COVE

- CLiP 3 dynamic
- C3



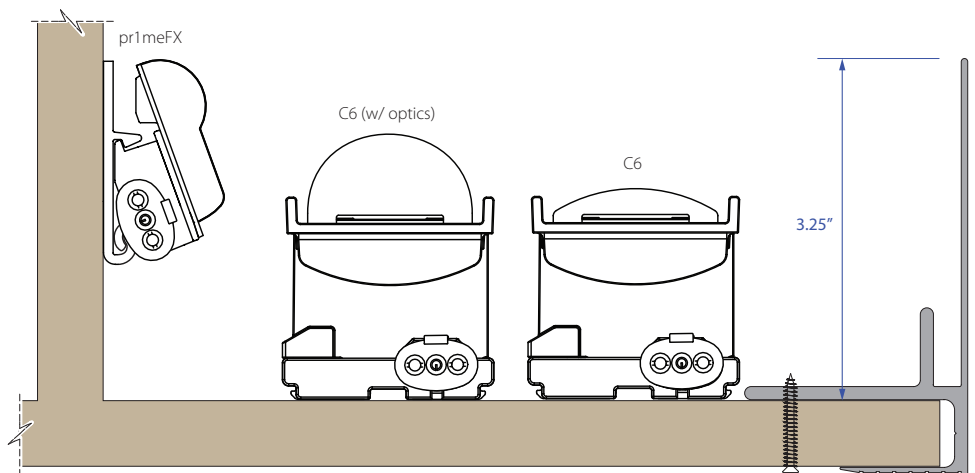
### 3.00" SQUARE EDGE COVE

- C4
- CLiP 4X
- CLiP 5
- pr1meFX



### 4.00" SQUARE EDGE COVE

- C6
- pr1meFX



## Aluminum Cove System

ARCHITECTURAL COVE LIGHTING

### KNIFE EDGE COVE ORDERING INFORMATION

AC	KE	175	10
Series	Cove Profile	Part Designation	Length*
AC Alum Cove	KE Knife Edge	175 1.75" Height	10 10 ft

\* Sold & shipped in 10 foot sections only.

### SQUARE COVE ORDERING INFORMATION

AC	SQ		10
Series	Cove Profile	Part Designation	Length*
AC Alum Cove	SQ Square	175 1.75" Height 300 3.00" Height 400 4.00" Height	10 10 ft

\* Sold & shipped in 10 foot sections only.

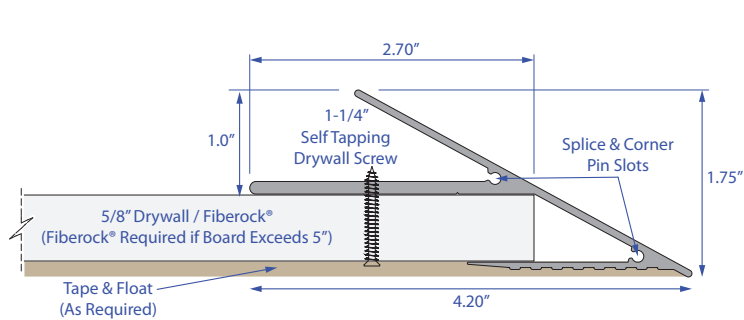
### SYSTEM ACCESSORIES

KNIFE EDGE COVE PROFILE	
ACA-KE-175-SP	Knife Edge Aluminum Cove Splice Pins, Bag of 20; (1 bag recommended for 50ft)
AC-KE-175-CC	Knife Edge Cove Profile 1.75" - Inside Corner Coffe, 5" x 5"
AC-KE-175-CR	Knife Edge Cove Profile 1.75" - Outside Corner Raft, 5" x 5" (can also be cut for left or right end cap)
1.75" SQUARE COVE PROFILE	
ACA-SQ-175-SK	1.75" Aluminum Cove Splice Keys, Box of 20; (1 box recommended for 100ft)
AC-SQ-175-CC	Square Cove Profile 1.75" - Inside Corner Coffe, 5" x 5"
AC-SQ-175-CR	Square Cove Profile 1.75" - Outside Corner Raft, 5" x 5" (can also be cut for left or right end cap)
ACA-SQ-175-SKC	1.75" Aluminum Corner Cove Splice Keys, Box of 20; (1 box recommended for 10 corners)
3.00" SQUARE COVE PROFILE	
ACA-SQ-340-SK	3.00" & 4.00" Aluminum Cove Splice Keys, Box of 20; (1 box recommended for 100ft)
AC-SQ-300-CC	Square Cove Profile 3.00" - Inside Corner Coffe, 5" x 5"
AC-SQ-300-CR	Square Cove Profile 3.00" - Outside Corner Raft, 5" x 5" (can also be cut for left or right end cap)
ACA-SQ-340-SKC	3.00" & 4.00" Aluminum Corner Cove Splice Keys, Box of 20; (1 box recommended for 10 corners)
4.00" SQUARE COVE PROFILE	
ACA-SQ-340-SK	3.00" & 4.00" Aluminum Cove Splice Keys, Box of 20; (1 box recommended for 100ft)
AC-SQ-400-CC	Square Cove Profile 4.00" - Inside Corner Coffe, 5" x 5"
AC-SQ-400-CR	Square Cove Profile 4.00" - Outside Corner Raft, 5" x 5" (can also be cut for left or right end cap)
ACA-SQ-340-SKC	3.00" & 4.00" Aluminum Corner Cove Splice Keys, Box of 20; (1 box recommended for 10 corners)
MOUNTING ACCESSORIES	
ACA-ADH	Aluminum Cove Splice Adhesive, 1 Tube; (1 tube recommended for 400ft)
ACA-SCF	Aluminum Cove Seam/Corner Finish Sandable Epoxy, 1 Tube; (1 tube recommended for 100ft)
ACA-SCR	Aluminum Cove Drywall Screws, 1-1/4" Self Tapping, Bag of 100; (1 bag recommended for 100ft)

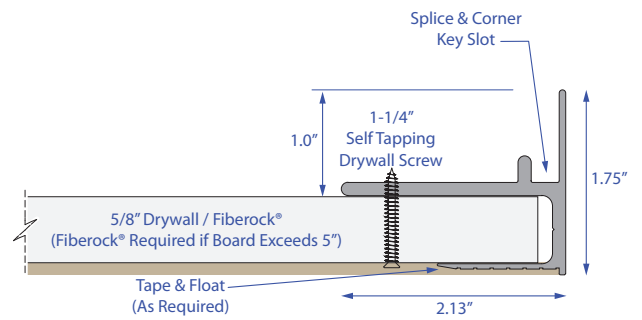
# Aluminum Cove System

ARCHITECTURAL COVE LIGHTING

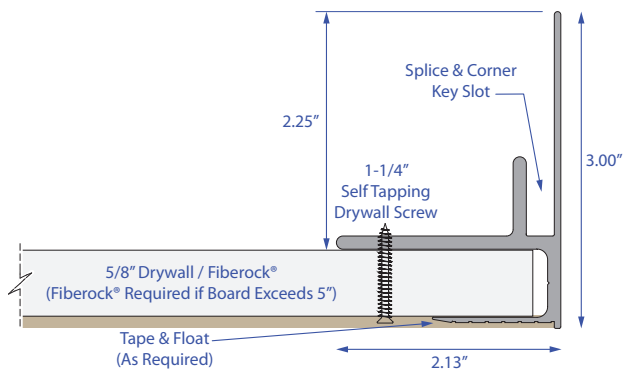
## DIMENSIONAL INFORMATION



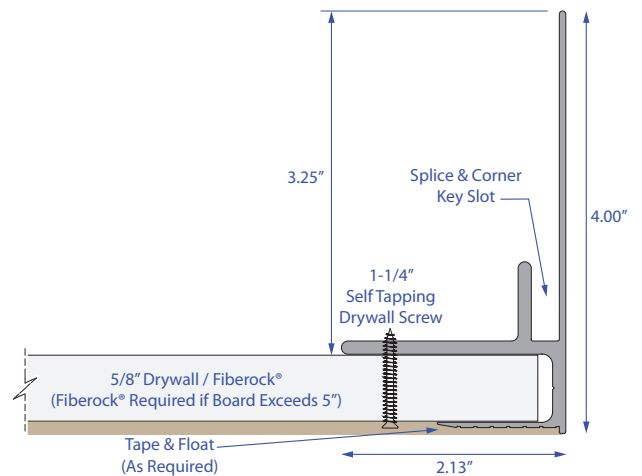
KNIFE EDGE COVE



SQUARE COVE 1.75"



SQUARE COVE 3.00"



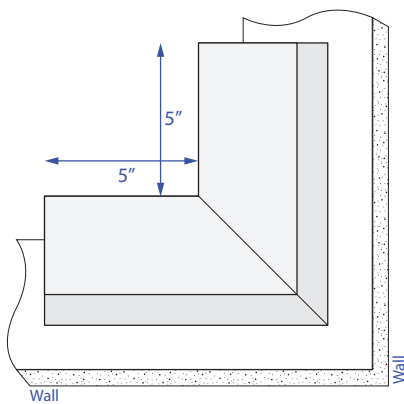
SQUARE COVE 4.00"

# Aluminum Cove System

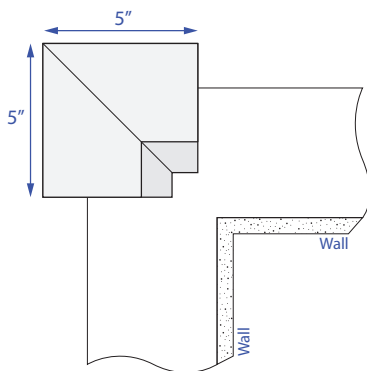
ARCHITECTURAL COVE LIGHTING

## DIMENSIONAL INFORMATION

### KNIFE EDGE COVE CORNERS

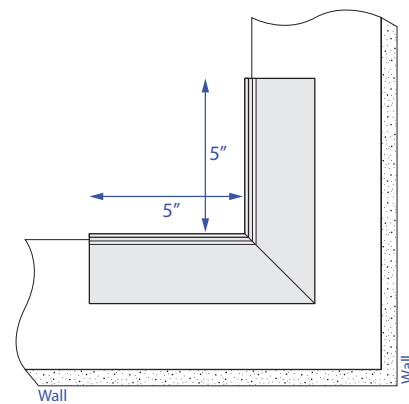


Inside Corner Coffin  
**AC-KE-175-CC**

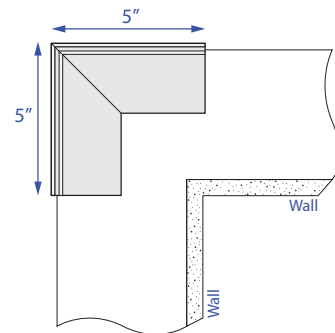


Outside Corner Raft  
**AC-KE-175-CC**

### SQUARE COVE CORNERS



Inside Corner Coffin  
**AC-SQ-xxx-CC**



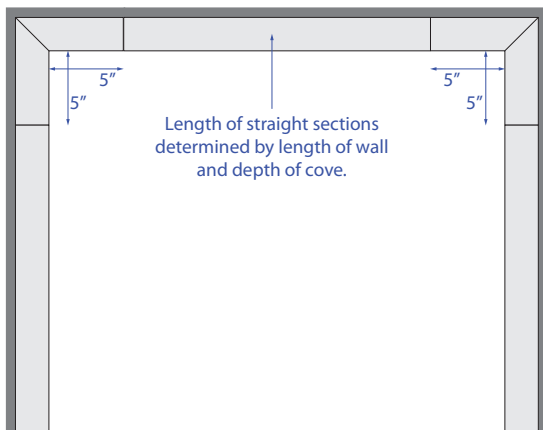
Outside Corner Raft  
**AC-SQ-xxx-CC**

# Aluminum Cove System

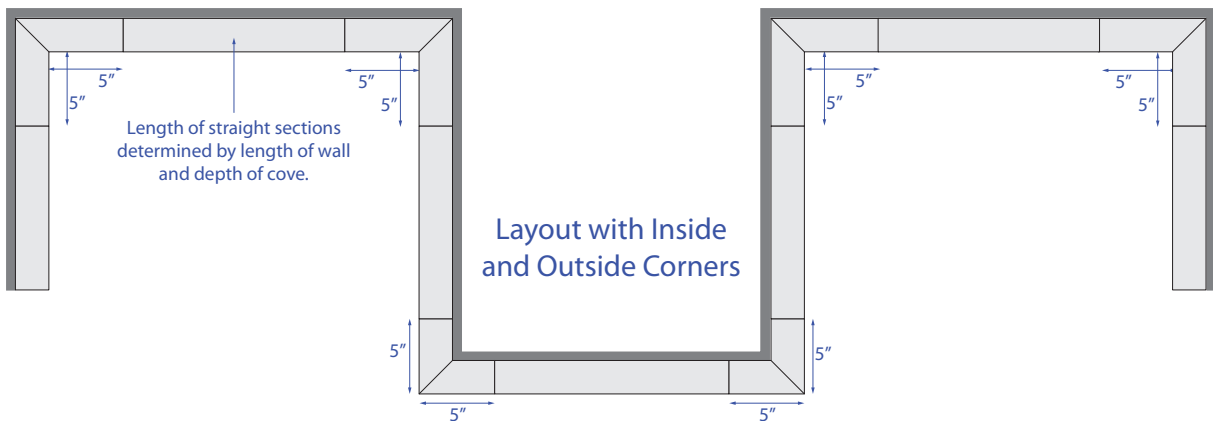
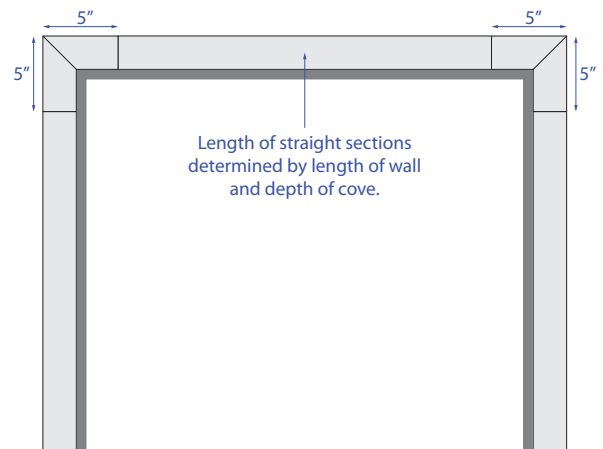
ARCHITECTURAL COVE LIGHTING

## LAYOUT DETAILS

Using Pre-Fabricated Inside Corners  
(all models)



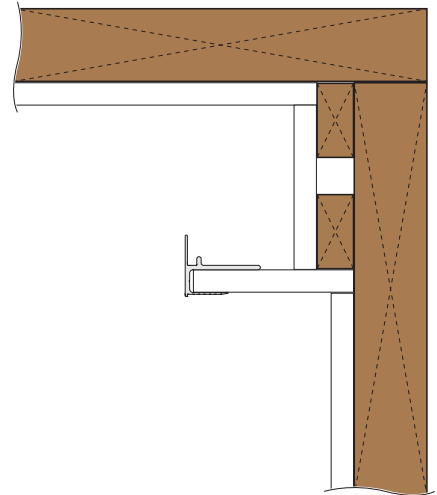
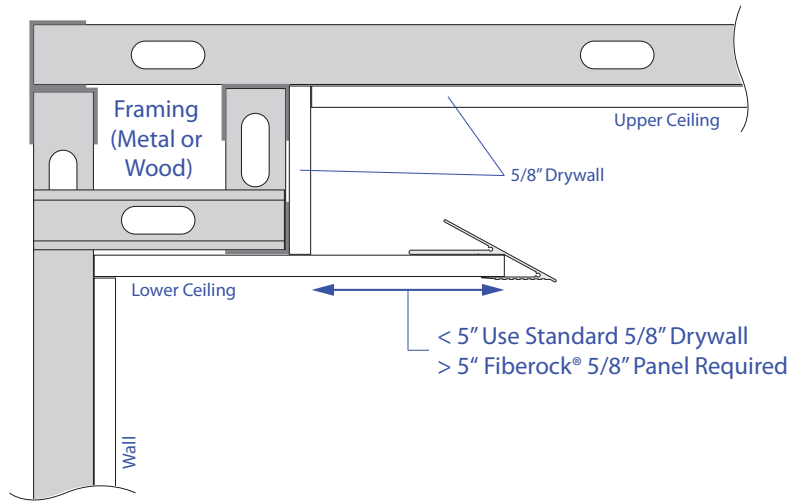
Using Pre-Fabricated Outside Corners  
(all models)



# Aluminum Cove System

ARCHITECTURAL COVE LIGHTING

## INSTALLATION EXAMPLES



## USING WITH pr1meFX

pr1meFX LED linear lighting system provides the primary layer of general illumination to a space from an architectural cove.

Reference the pr1meFX spec sheet at [TempoLLC.com](http://TempoLLC.com)

