



## Vertical Light LED

VL1 POST MOUNT

### INSTALLATION INSTRUCTIONS

---

Ratings, Hardware and Warning.....	Page 1
Installation Instructions.....	Page 2-3

---

#### ELECTRICAL RATINGS

The Vertical Light is a low voltage system, operating at 12V.

#### HARDWARE PROVIDED (BY OTHERS)

- 1) #26 Drill Bit (.147")
- 2) ½" Drill Bit
- 3) Hand Drill
- 4) Phillips Screw Driver

**WARNING:**



This product must be installed in accordance with the applicable installation code by a person familiar with the construction and operation of the product and the hazards involved.

Turn off main power supply before you start installing Vertical Light.

## Vertical Light LED

VL1 POST MOUNT

### INSTALLATION

#### STEP 1

After locating desired mounting height for VL1 on the 1½" diameter rail, mark and drill three mounting holes, using the base plate, on outside of rail, as shown in **Figure 1, 2 & 3**, using the #26 drill bit.

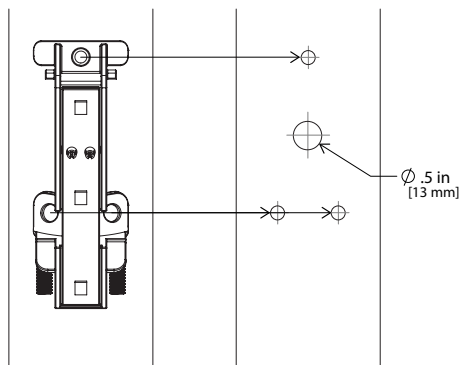


Figure 1

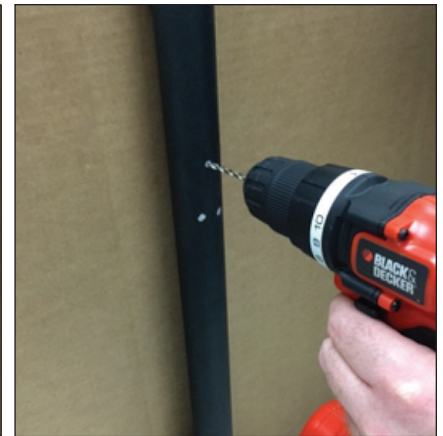


Figure 2

#### STEP 2

From center of top hole, measure and mark 0.75 of an inch down as shown in **Figure 3**, and drill using ½" drill bit, as shown in **Figure 4**.



Figure 3



Figure 4



## Vertical Light LED

VL1 POST MOUNT

### INSTALLATION (continued)

#### STEP 3

Drop attached conduit feed through center hole and mount fixture base using the 3 self-tapping screws provided, as shown in **Figure 5**.



Figure 5

#### STEP 4

Attach baffle to base and tighten set-screws, as shown in **Figure 6**.

#### STEP 5

Once fixture is mounted connect power to fixture by drilling a hole in the bottom of the Rail post to splice into power from raceway / step nose.



Figure 6