



Laser Pump Cavities

**PERFORMANCE
PARTNERSHIP
VALUE**

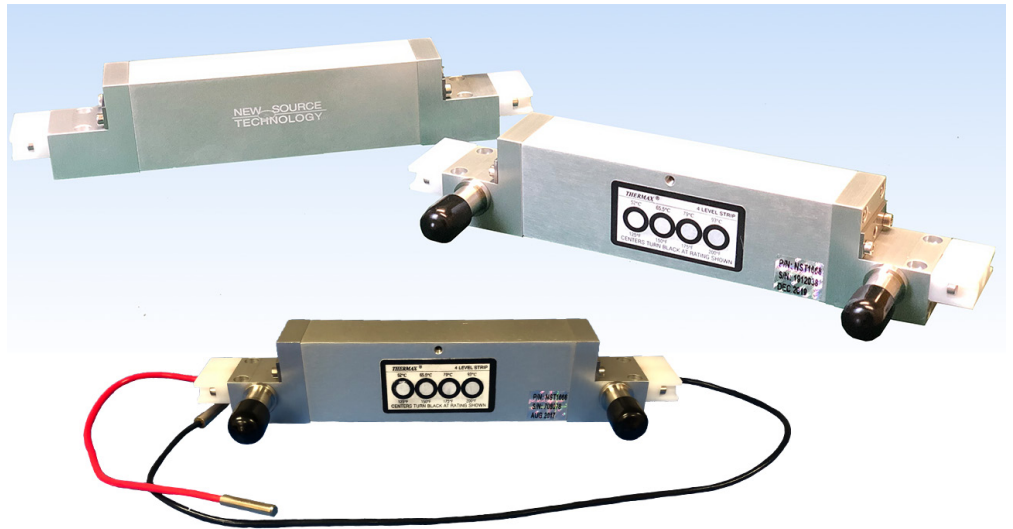
High Power

High Efficiency

Diffuse Cavity

Single & Dual Lamp
Models

Competitive OEM Prices



New Source Technology designs and manufactures high quality pump chambers for a variety of laser applications covering all solid-state wavelengths. Designed for highly efficient diffuse reflectivity and symmetric radial cooling, our pump chambers provide unsurpassed durability, reliability, and seal integrity to meet a laser manufacturer's demanding performance requirements. Standard pump chambers can be delivered off-the-shelf while the modular design allows for cost effective custom solutions.

Contact us today to learn more about improving laser performance and reducing the cost of your solid state pump chamber needs. Combined with our flashlamps, optics, and crystals, New Source Technology provides a complete laser optical engine that meets your design specifications.

**NEW SOURCE
TECHNOLOGY** LLC

6678 Owens Drive, Suite 105, Pleasanton, CA, USA 94588
Ph: 925/462-6888 Fx: 925/462-8388
www.newsourcetechnology.com

New Source Technology, LLC (NST) is a California based limited liability company. NST specializes in the design, manufacture, sale, and/or distribution of critical laser components with a special emphasis on optical resonators, PFN subassemblies, cooling sub assemblies, pump cavities, laser rods, flash lamps, capacitor charging power supplies, packaged diodes, optics, and laser diode drivers.

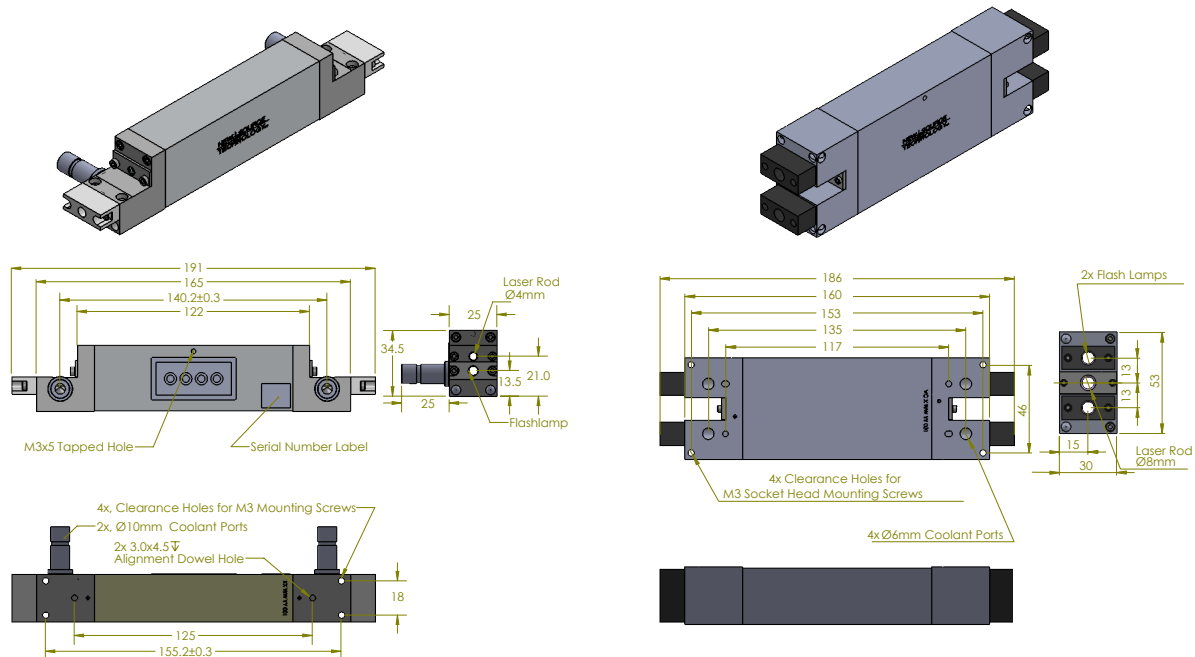
Pump Cavity Ordering Guide

Standard models are available for purchase using the modular ordering guide below. For example, ordering a 4x125SLB-BP can be used with a single flashlamp, one laser rod at least 125mm in length minimum, housed in a powder-packed fused silica flowtube, that is liquid-cooled from a bottom manifold.

Contact New Source to custom design a pump cavity that meet your dimensional and power requirements.

Rod Diameter (mm)		Rod Length (mm)	Lamp Quantity	Reflector Type		Flowtube		Water Inlet
4	x	125	SL	B	-	Sm	-	BP
3		50	SL: Single Lamp	B: Powder		Blank: Fused Silica		Blank: Side Port
4		75		C: Ceramic		Sm: 5% Samarium-doped glass		
5		90	DL: Dual Lamp			Sm+: 10% Samarium-doped glass		BP: Bottom Port
6		100						
7		110						
8		125						
9		165						
9.5								

Mechanical Dimensions



NEW SOURCE TECHNOLOGY LLC

6678 Owens Drive, Suite 105, Pleasanton, CA, USA 94588
 Ph: 925/462-6888 Fx: 925/462-8388
www.newsourcetechnology.com

New Source Technology, LLC (NST) is a California based limited liability company. NST specializes in the design, manufacture, sale, and/or distribution of critical laser components with a special emphasis on optical resonators, PFN subassemblies, cooling sub assemblies, pump cavities, laser rods, flash lamps, capacitor charging power supplies, packaged diodes, optics, and laser diode drivers.