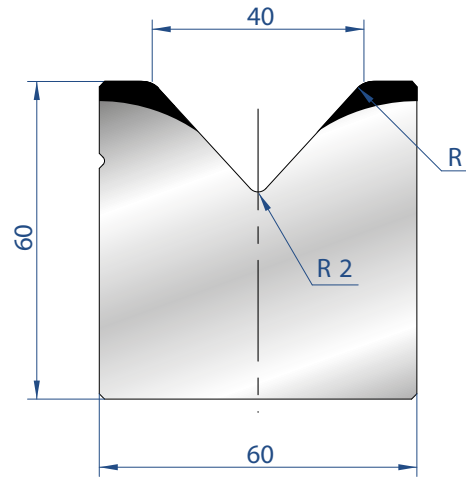


2020

Mat = C45
Max T/m = 100
 $\alpha = 85^\circ$

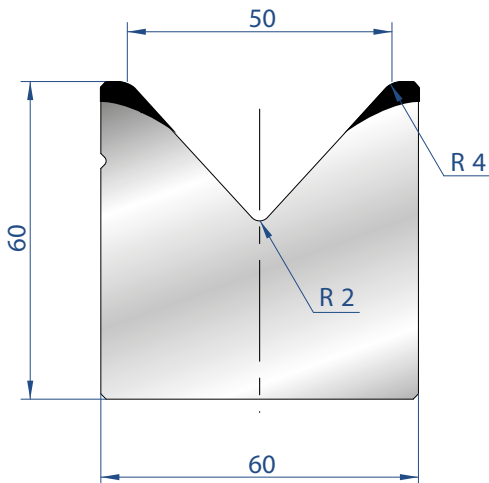
835 mm	22,0 kg
415 mm	11,0 kg
805 mm	22,0 kg
FRAZ. / SECT.	



2021

Mat = C45
Max T/m = 100
 $\alpha = 85^\circ$

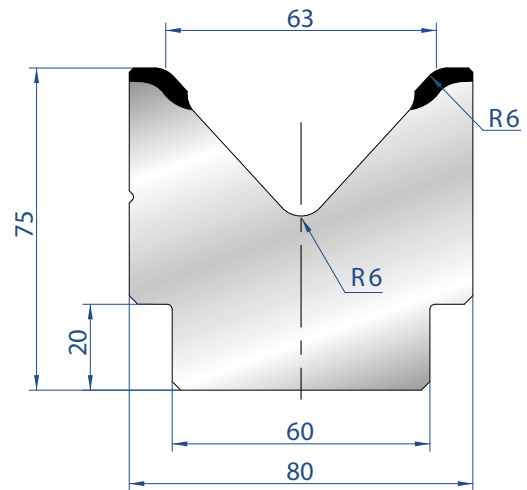
835 mm	21,0 kg
415 mm	10,0 kg
805 mm	21,0 kg
FRAZ. / SECT.	



2022

Mat = C45
Max T/m = 100
 $\alpha = 85^\circ$

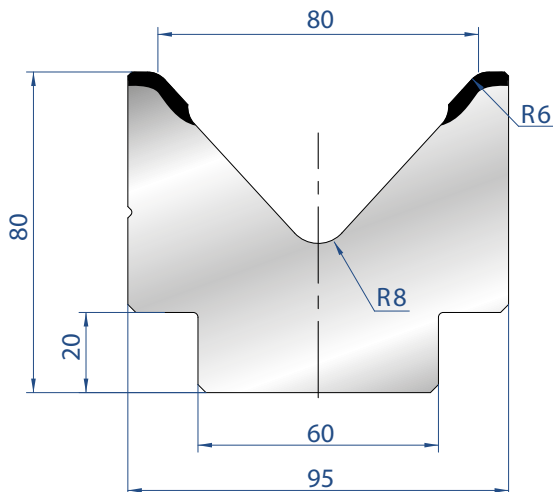
835 mm	19,0 kg
415 mm	9,0 kg
805 mm	19,0 kg
FRAZ. / SECT.	



2023

Mat = C45
Max T/m = 100
 $\alpha = 85^\circ$

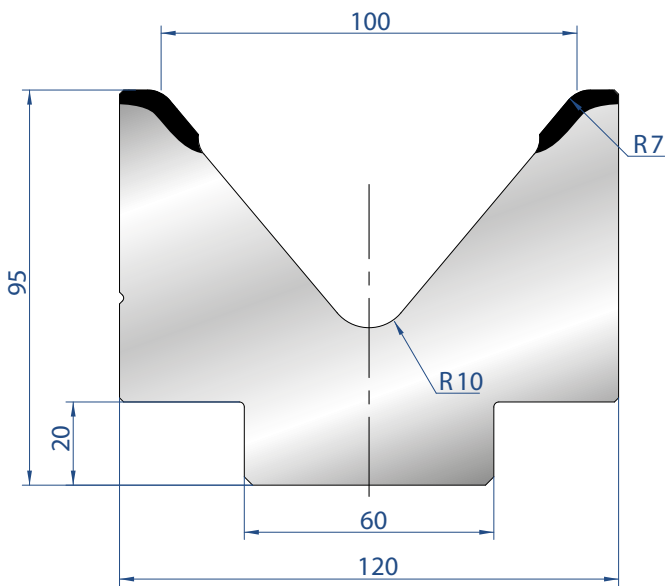
835 mm	28,5 kg
415 mm	15,0 kg
805 mm	28,5 kg
FRAZ. / SECT.	



2024

Mat = C45
Max T/m = 100
 $\alpha = 85^\circ$

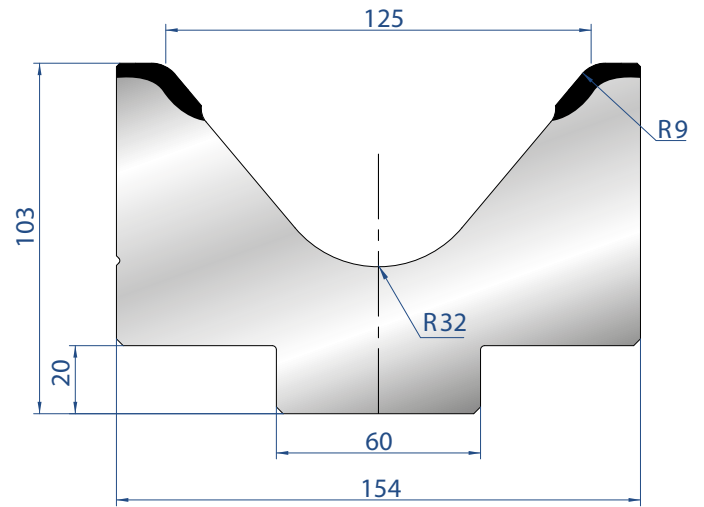
835 mm	38,0 kg
415 mm	19,0 kg
805 mm	38,0 kg
FRAZ. / SECT.	



2025

Mat = C45
Max T/m = 120
 $\alpha = 80^\circ$

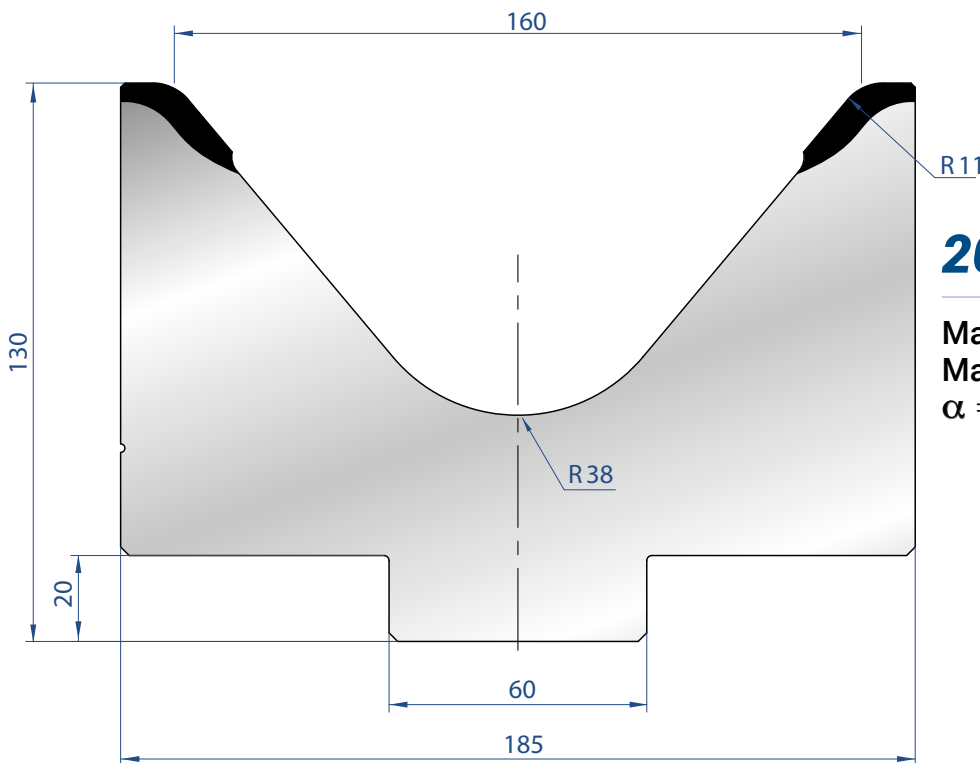
835 mm	50,0 kg
415 mm	25,0 kg
805 mm	50,0 kg
FRAZ. / SECT.	



2026

Mat = C45
Max T/m = 120
 $\alpha = 80^\circ$

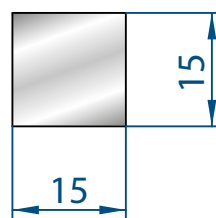
835 mm	70,0 kg
415 mm	35,0 kg
805 mm	70,0 kg
FRAZ. / SECT.	



2027

Mat = C45
Max T/m = 120
 $\alpha = 80^\circ$

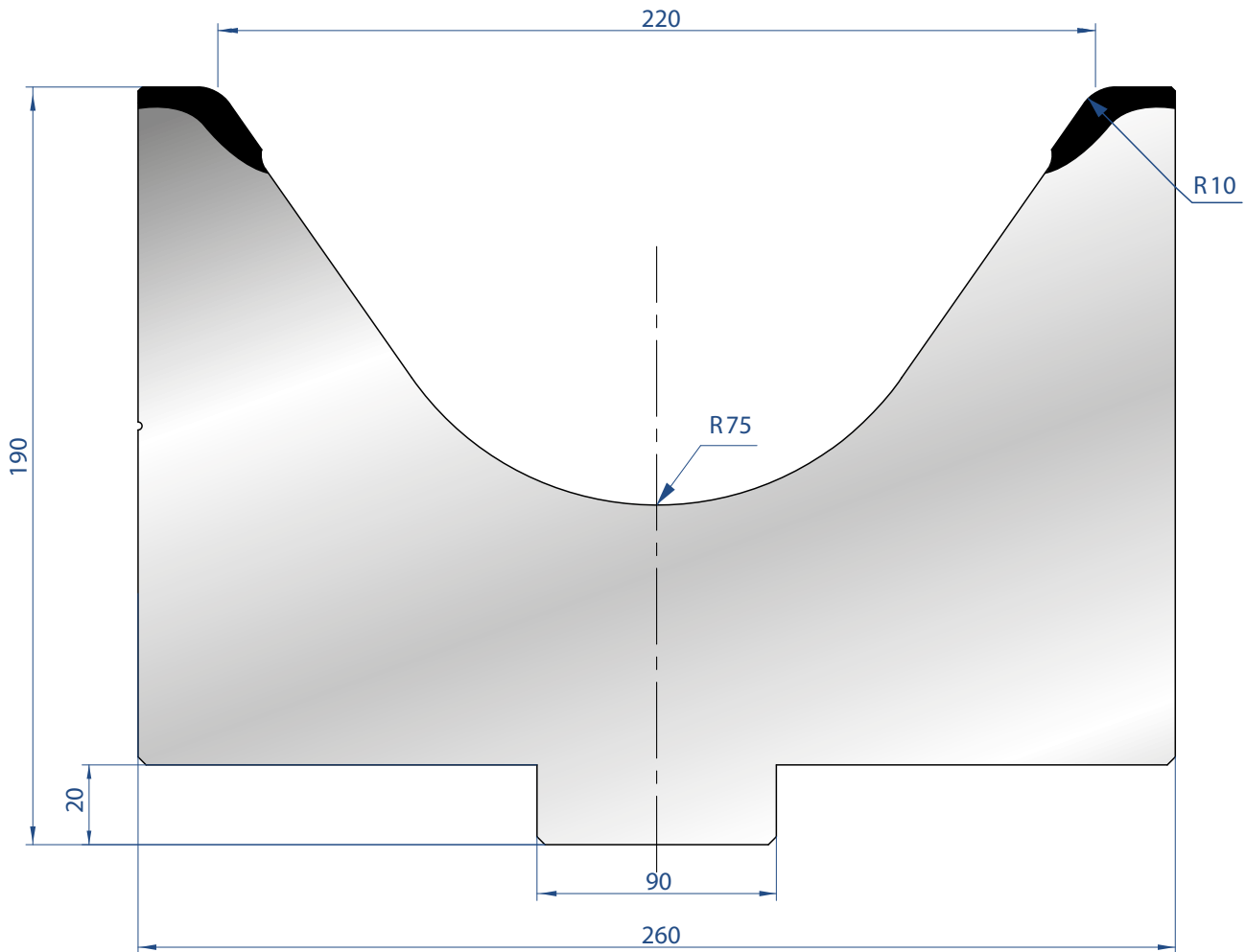
835 mm	91,3 kg
415 mm	51,0 kg
805 mm	91,3 kg
FRAZ. / SECT.	



8106

TRAFILATI 15X15
SQUARE BAR 15X15

835 mm	2,9 kg
--------	--------

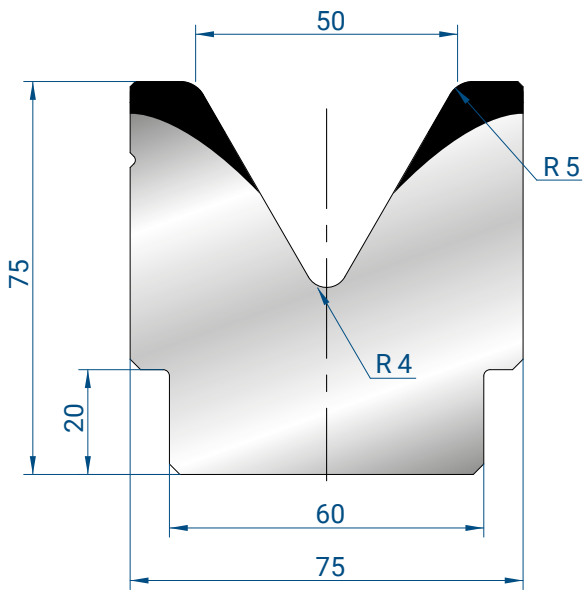


7290

505 mm | 119,0 kg

Mat = C45
 bonificato /
 tempered
Max T/m = 200
 $\alpha = 70^\circ$

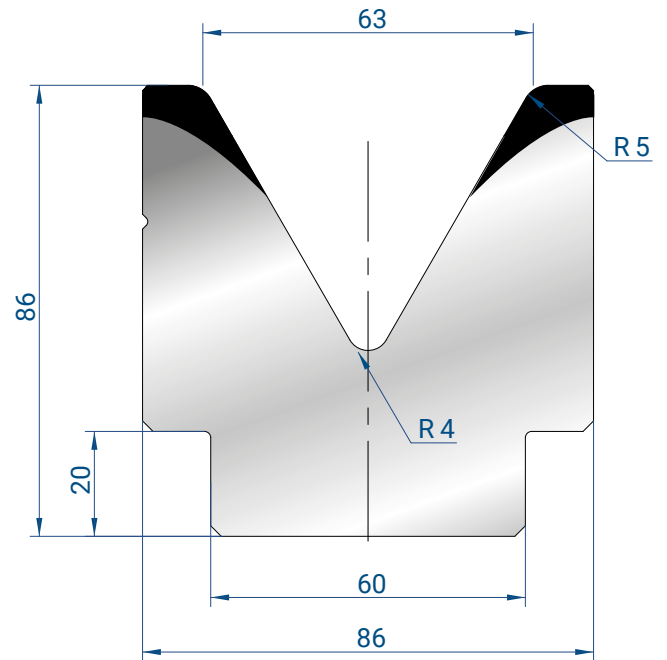
SOLO LUNGHEZZA
 505 MM
 AVAILABLE ONLY
 LENGTH 505 MM



2082

Mat = C45
 Max T/m = 100
 $\alpha = 60^\circ$

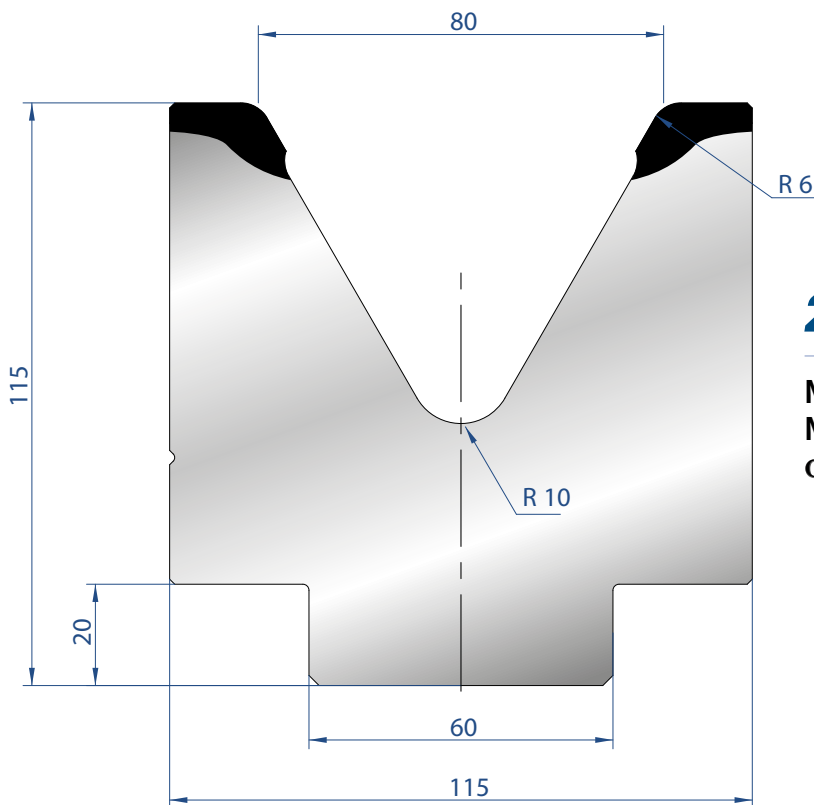
835 mm	28,0 kg
415 mm	14,0 kg
805 mm FRAZ. / SECT.	28,0 kg



2083

Mat = C45
 Max T/m = 100
 $\alpha = 60^\circ$

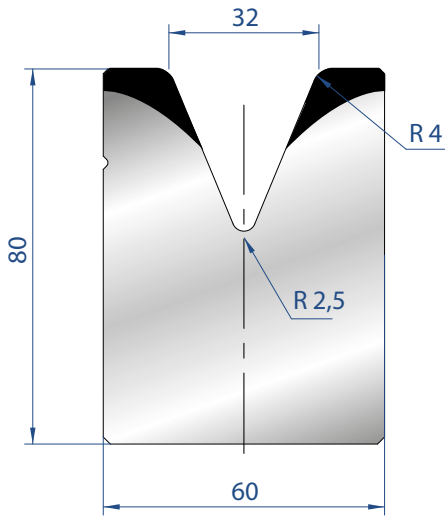
835 mm	34,0 kg
415 mm	17,0 kg
805 mm FRAZ. / SECT.	34,0 kg



2089

Mat = C45
 Max T/m = 100
 $\alpha = 60^\circ$

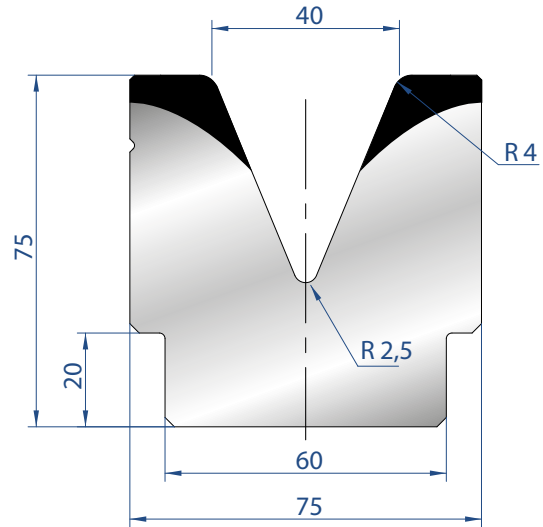
835 mm	60,0 kg
415 mm	30,0 kg
805 mm FRAZ. / SECT.	60,0 kg



2088

Mat = C45
 Max T/m = 100
 $\alpha = 45^\circ$

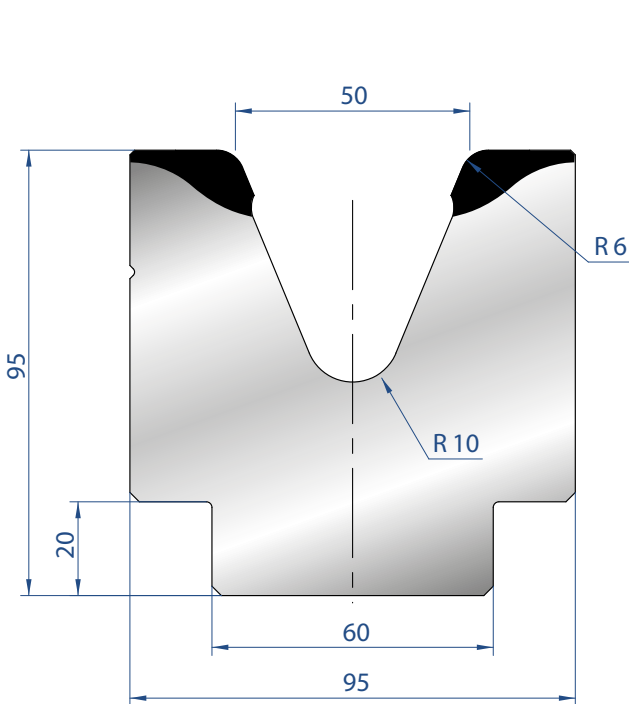
835 mm	28,0 kg
415 mm	14,0 kg
805 mm	28,0 kg
FRAZ. / SECT.	



2081

Mat = C45
 Max T/m = 100
 $\alpha = 45^\circ$

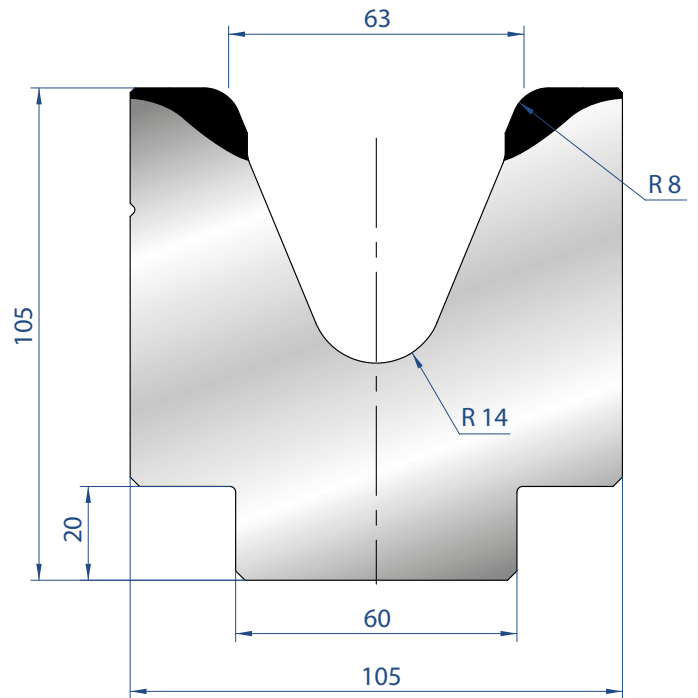
835 mm	33,0 kg
415 mm	16,0 kg
805 mm	33,0 kg
FRAZ. / SECT.	



2118

Mat = C45
 Max T/m = 100
 $\alpha = 45^\circ$

835 mm	36,0 kg
415 mm	18,0 kg
805 mm	36,0 kg
FRAZ. / SECT.	

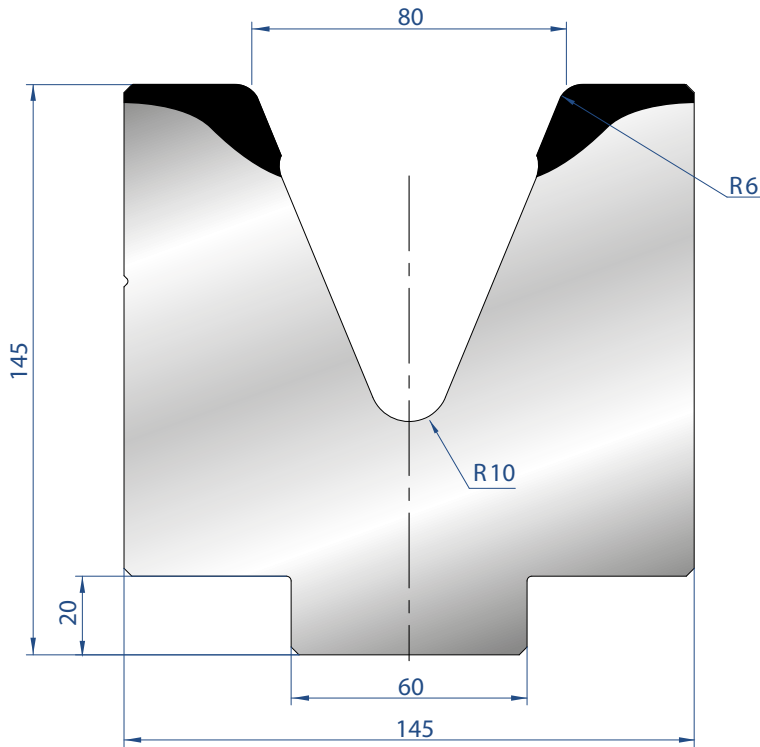


2117

Mat = C45
 Max T/m = 100
 $\alpha = 45^\circ$

835 mm	34,0 kg
415 mm	17,0 kg
805 mm	34,0 kg
FRAZ. / SECT.	

MATRICI 1V - 45° / 1V DIES - 45°

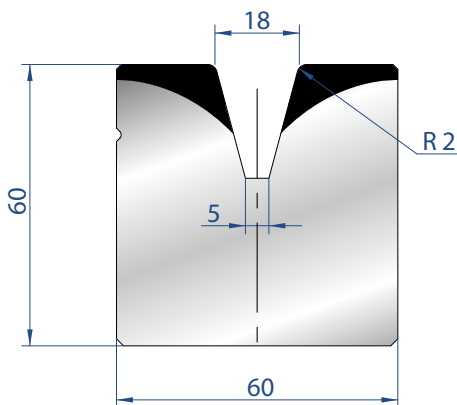


2084

Mat = C45
Max T/m = 100
 $\alpha = 45^\circ$

835 mm	102,0 kg
415 mm	51,0 kg
805 mm	102,0 kg
FRAZ. / SECT.	

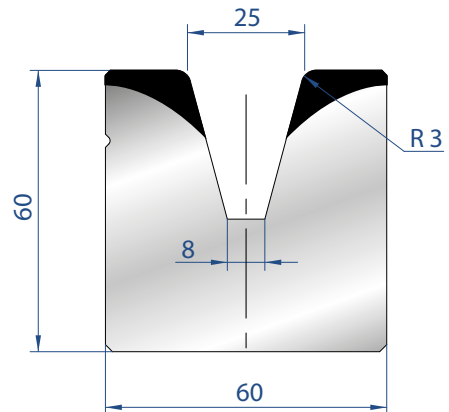
MATRICI 1V - 30° / 1V DIES - 30°



2086

Mat = C45
Max T/m = 100
 $\alpha = 30^\circ$

835 mm	22,0 kg
415 mm	11,0 kg
805 mm	22,0 kg
FRAZ. / SECT.	



2087

Mat = C45
Max T/m = 100
 $\alpha = 30^\circ$

835 mm	22,0 kg
415 mm	11,0 kg
805 mm	22,0 kg
FRAZ. / SECT.	