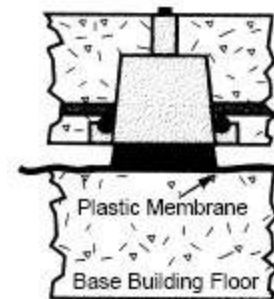
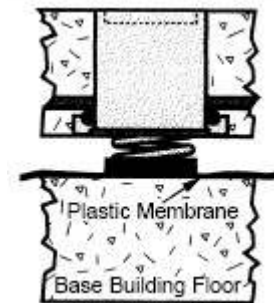
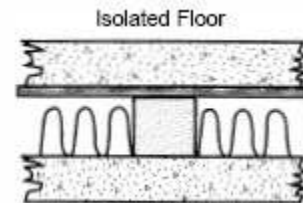
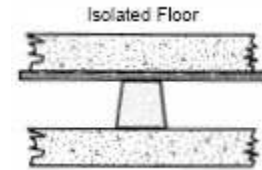
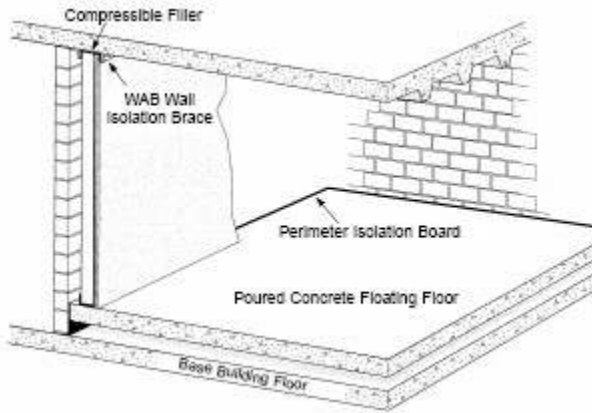


**Product Data Section**

**Effective Isolation Any Time You Need To  
 Locate A Quiet Area Next To A Noisy Area**



**Advantages:**

- Allows location of quiet spaces such as offices, conference rooms, theatres, studios, etc. near mechanical equipment rooms, manufacturing spaces, etc.
- Reduces transmission of airborne noise, structure-borne vibration and impact
- STC ratings which exceed the mass law
- Designs for new building construction to meet minimum building standards for IIC (impact insulation class) and STC (sound transmission class)
- Economical to install at the time of building construction
- Turnkey design, fabrication and installation are available
- Uses standard building materials

**Applications:**

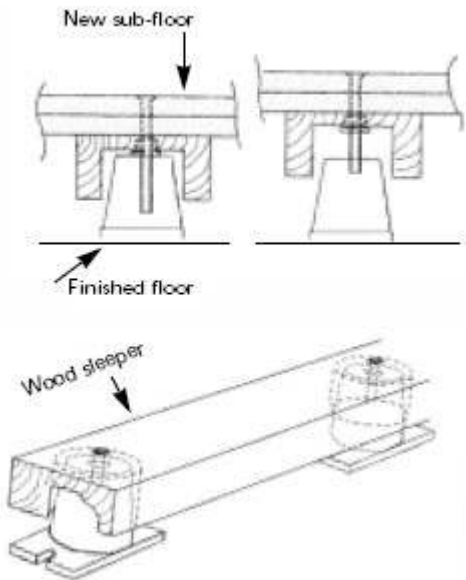
- Resilient dance floors
- Stage floors
- Practice and rehearsal rooms
- Concert hall envelopes
- Mechanical equipment rooms
- Emergency generator rooms
- Mass transit rail isolation
- Anechoic chambers
- Restaurants and nightclubs
- Gyms and fitness areas
- Helipads
- Isolated roof decks
- Loading docks
- Private offices
- Conference rooms
- Television studios
- Recording and radio studios
- Research laboratories
- Rooftop recreation areas
- Jogging tracks
- Choir and music rooms
- Cafeterias
- Auditoriums

*Top to bottom details:  
 neoprene, fiberglass;  
 adjustable spring and  
 adjustable neoprene  
 concrete floating floors*

**Product Data Section**

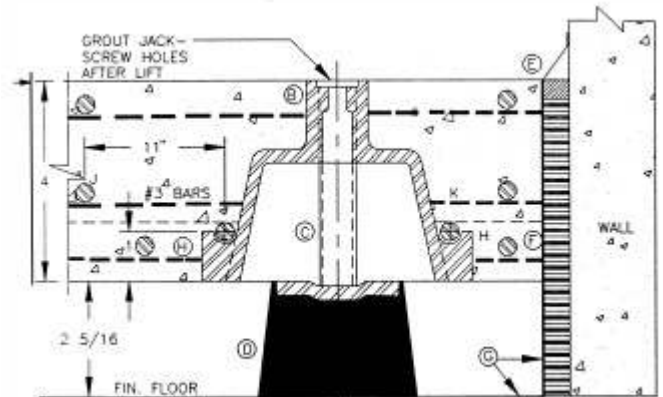
**About BRD HUSH FLOAT™  
 Isolated Structures:**

BRD HUSH FLOAT™ isolated floor systems consist of load bearing molded fiberglass, neoprene or springs for exceptional structure-borne isolation with layers of acoustical fiberglass supporting a poured concrete (type CFF) or staggered double layer of plywood (type WFF) mass layer to further dampen structure-borne and airborne noise and vibration. Perimeter isolation material, special floor drains, temporary weather proofing and other accessory items are all part of the floating floor system. Floating partitions and ceilings can also be incorporated to avoid any flanking around a floating floor. Partition restraint brackets, sway braces, ceiling isolation hangers and other components are available to ensure complete structural isolation for critical applications. Please contact your BRD sales engineer regarding specific designs to meet any STC or IIC project requirement.



**HUSH FLOAT™  
 Systems\*:**

- Type CFF: Concrete floating floors
  - Type WFF: Wood floating floors
  - Type AFF: Adjustable floating floors (see below)
  - Type IIF: Impact Isolated floors
  - Type MFP: Masonry floating partition
  - Type DFP: Drywall floating partition
  - Type DFC: Drywall floating ceiling
- \* Specifications, application details and test data are available on an application basis.



*Second floor karate studio isolated from retail store below using type WFF Wood Floating Floor system (see detail at left).*