



Medical Grade Hand Sanitizer

Being a Part of the Solution. It's What We Do.

Medical Grade Hand Sanitizer 75% Ethyl Alcohol

Hand Sanitizer is NPN 80098392 approved.
It's dye and perfume free with moisturizers.

Use without water to kill 99.99% of many
common germs in 30 seconds.

Usage: Ideal for use outside the washroom
to provide hand hygiene at the work-point
or on the move. Ideal for schools, offices,
and public facilities.

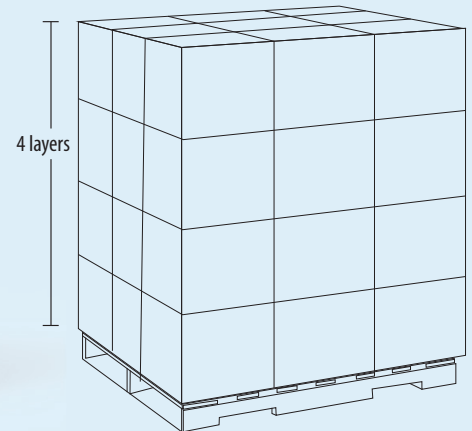
Method of Use: Apply directly to clean
hands and rub across all areas of the hands
for 30 seconds, until dry.



with cap



with pump



Item #	IDS1G75
UPC Code	839174004299
Product Volume	1 gallon 3785 ml
Pieces in Shipping Case	4
Shipping Case Dimension	13 x 12.5 x 12.5
Pallet Size	H53 x W39 x L55
Cases Per Pallet	36
Pallet Configuration	4 layers of 9
Products Per Pallet	144 pieces
Pallets Per Truckload	22
Cases Per Truckload	792
Weight Per Case	37.2 lbs
Weight Per Pallet	1698.4 lbs***
Total Weight Per Truckload	37,364.8 lbs

***weight includes 40 lbs (pallet weight)

Active ingredient

Ethyl alcohol 75% Antiseptic

Other ingredients aqua, glycerin, dipropylene glycol, carbomer, hydroxyacetophenone,
triethanolamine, caprylyl glycol

Purpose

Antiseptic



INNOVATIVE DISPLAYS
LEADING THROUGH INNOVATION
PRINT, SIGNAGE AND DISPLAYS
innovativedisplays.com/ppe/

Contact: _____

email: _____

phone: _____