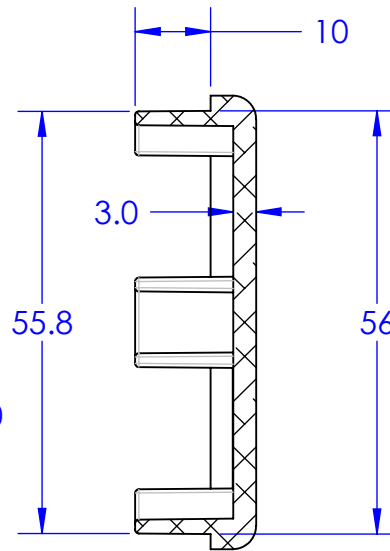
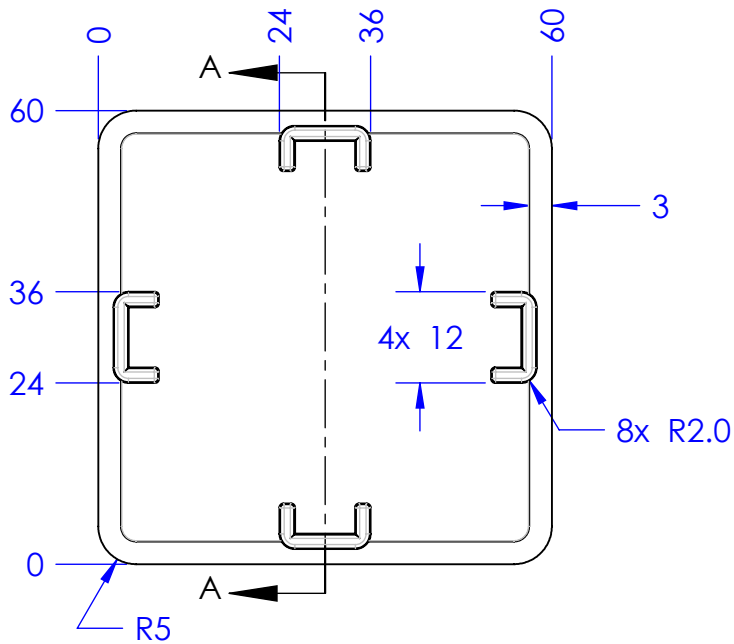
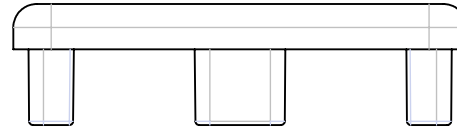
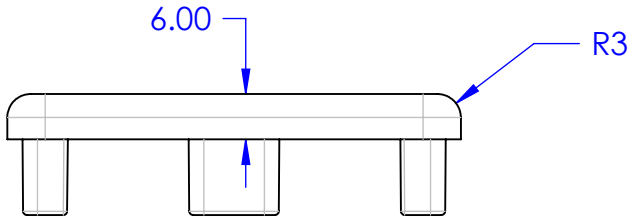
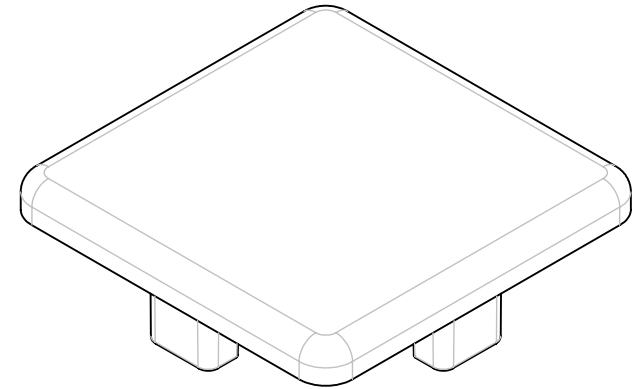


10-800-00

DWG. NO.



SECTION A-A



NOTE: 0.5° DRAFT FOR LEGS

PROPRIETARY AND CONFIDENTIAL
 THE INFORMATION CONTAINED IN THIS DRAWING IS THE SOLE PROPERTY OF STAINLESS CABLE & RAILING, INC. ANY REPRODUCTION IN PART OR AS A WHOLE WITHOUT THE WRITTEN PERMISSION OF STAINLESS CABLE & RAILING, INC. IS PROHIBITED.

| | | | | |
|-------------|---------|---|---|----------|
| | | UNLESS OTHERWISE SPECIFIED: DIMENSIONS ARE IN Millimeters | NAME | DATE |
| | | TOLERANCES: x = 0.1 x.x = 0.1 x.xx = 0.01 x.xxx = 0.005 | GM | 04/27/08 |
| | | INTERPRET GEOMETRIC TOLERANCING PER: | | |
| | | MATERIAL 6082 T6 Alu | | |
| | | FINISH | | |
| | | | COMMENTS: Powdercoating to meet or exceed AAMA2604 Salt Spray Resistance | |
| NEXT ASSY | USED ON | | | |
| APPLICATION | | DO NOT SCALE DRAWING | | |

| | | |
|--|------------------------------|-------------------|
| Stainless Cable & Railing, Inc. 888-686-7245 (RAIL) | | |
| TITLE: <h1>Post Cap</h1> | | |
| SIZE A | DWG. NO. 03-008-01 | REV PR2 |
| SCALE: 1:1 | WEIGHT: | SHEET 1 OF 1 |