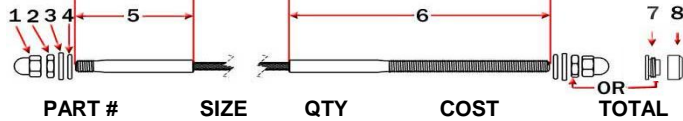


RAILING HEIGHT: 36" (Recommended) 11 Assemblies
42" (Recommended) 13 Assemblies
FIELD SWAGED ASSEMBLY

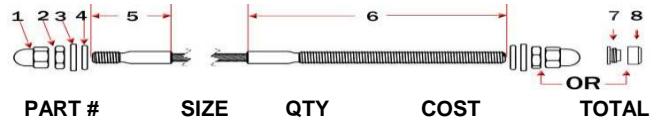
(Requires Cable Swaging Tool and Cable Cutter)



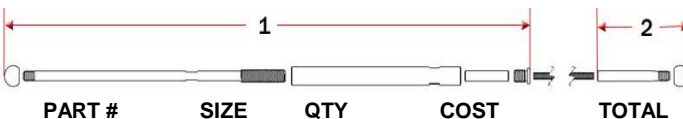
PART #	SIZE	QTY	COST	TOTAL
1) Acorn Nut	1/8"	<input type="text"/>	\$ 1.15	= <input type="text"/>
	3/16"	<input type="text"/>	\$ 1.25	= <input type="text"/>
2) Hex Nut	1/8"	<input type="text"/>	\$ 0.36	= <input type="text"/>
	3/16"	<input type="text"/>	\$ 0.42	= <input type="text"/>
3) Washer	1/8"	<input type="text"/>	\$ 0.36	= <input type="text"/>
	3/16"	<input type="text"/>	\$ 0.24	= <input type="text"/>
5) Threaded Terminal	1/8"	<input type="text"/>	\$ 5.25	= <input type="text"/>
	3/16"	<input type="text"/>	\$ 5.95	= <input type="text"/>
6) Threaded Tensioner	1/8"	<input type="text"/>	\$ 6.95	= <input type="text"/>
	3/16"	<input type="text"/>	\$ 7.15	= <input type="text"/>
7) Quick Nut	1/8"	<input type="text"/>	\$ 2.15	= <input type="text"/>
	3/16"	<input type="text"/>	\$ 2.25	= <input type="text"/>
8) Quick Nut Cover	1/8"	<input type="text"/>	\$ 4.15	= <input type="text"/>
	3/16"	<input type="text"/>	\$ 4.25	= <input type="text"/>

FACTORY SWAGED ASSEMBLY

(Requires Professional Swaging Service)



PART #	SIZE	QTY	COST	TOTAL
1) Acorn Nut	1/8"	<input type="text"/>	\$ 1.15	= <input type="text"/>
	3/16"	<input type="text"/>	\$ 1.25	= <input type="text"/>
2) Hex Nut	1/8"	<input type="text"/>	\$ 0.36	= <input type="text"/>
	3/16"	<input type="text"/>	\$ 0.42	= <input type="text"/>
3) Washer	1/8"	<input type="text"/>	\$ 0.36	= <input type="text"/>
	3/16"	<input type="text"/>	\$ 0.24	= <input type="text"/>
5) Threaded Terminal	1/8"	<input type="text"/>	\$ 4.75	= <input type="text"/>
	3/16"	<input type="text"/>	\$ 5.95	= <input type="text"/>
6) Threaded Tensioner	1/8"	<input type="text"/>	\$ 6.95	= <input type="text"/>
	3/16"	<input type="text"/>	\$ 7.15	= <input type="text"/>
7) Quick Nut	1/8"	<input type="text"/>	\$ 2.15	= <input type="text"/>
	3/16"	<input type="text"/>	\$ 2.25	= <input type="text"/>
8) Quick Nut Cover	1/8"	<input type="text"/>	\$ 4.15	= <input type="text"/>
	3/16"	<input type="text"/>	\$ 4.25	= <input type="text"/>

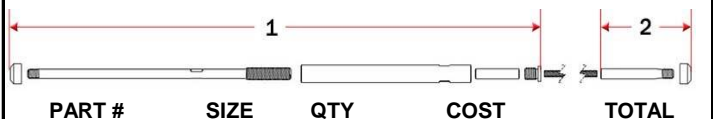
FINE-LINE BALL ASSEMBLY


PART #	SIZE	QTY	COST	TOTAL
1) Fine-Line Ball Turnbuckle	1/8"	<input type="text"/>	\$ 39.95	= <input type="text"/>
	3/16"	<input type="text"/>	\$ 39.95	= <input type="text"/>
2) Swage Ball End - Long	1/8"	<input type="text"/>	\$ 7.95	= <input type="text"/>
	3/16"	<input type="text"/>	\$ 7.95	= <input type="text"/>

FACTORY SWAGED ASSEMBLY

(Requires Professional Swaging Service)

2) Swage Ball End - Short	1/8"	<input type="text"/>	\$ 7.95	= <input type="text"/>
	3/16"	<input type="text"/>	\$ 7.95	= <input type="text"/>

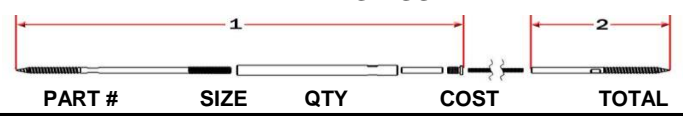
FINE-LINE BUTTON ASSEMBLY


PART #	SIZE	QTY	COST	TOTAL
1) Fine-Line Button Turnbuckle	1/8"	<input type="text"/>	\$ 32.95	= <input type="text"/>
	3/16"	<input type="text"/>	\$ 32.95	= <input type="text"/>
2) Swage Ball End - Long	1/8"	<input type="text"/>	\$ 7.95	= <input type="text"/>
	3/16"	<input type="text"/>	\$ 7.95	= <input type="text"/>

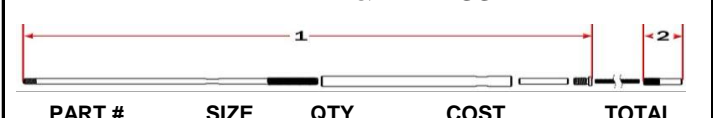
FACTORY SWAGED ASSEMBLY

(Requires Professional Swaging Service)

2) Swage Ball End - Short	1/8"	<input type="text"/>	\$ 7.95	= <input type="text"/>
	3/16"	<input type="text"/>	\$ 7.95	= <input type="text"/>


FINE-LINE LAG ASSEMBLY


PART #	SIZE	QTY	COST	TOTAL
1) Fine-Line Lag Turnbuckle	1/8"	<input type="text"/>	\$ 34.95	= <input type="text"/>
	3/16"	<input type="text"/>	\$ 34.95	= <input type="text"/>
2) Swage Lag End	1/8"	<input type="text"/>	\$ 7.25	= <input type="text"/>
	3/16"	<input type="text"/>	\$ 7.25	= <input type="text"/>

FINE-LINE DRILL & TAP ASSEMBLY



PART #	SIZE	QTY	COST	TOTAL
1) Fine-Line Drill/Tap Turnbuckle	3/16"	<input type="text"/>	\$ 30.50	= <input type="text"/>
2) Swage Stud	3/16"	<input type="text"/>	\$ 4.25	= <input type="text"/>

FINE-LINE JAW - METAL ASSEMBLY




PART #	SIZE	QTY	COST	TOTAL
1) Threaded Eye		<input type="text"/>	x \$ 3.75 =	<input type="text"/>
2) Fine-Line Jaw Turnbuckle				
	1/8"	<input type="text"/>	x \$ 36.95 =	<input type="text"/>
	3/16"	<input type="text"/>	x \$ 36.95 =	<input type="text"/>
FACTORY SWAGED ASSEMBLY (Requires Professional Swaging Service)				
3) Fixed Jaw Clevis				
	1/8"	<input type="text"/>	x \$ 10.80 =	<input type="text"/>
add Field Terminal		<input type="text"/>	x \$ 5.25 =	<input type="text"/>
	3/16"	<input type="text"/>	x \$ 10.80 =	<input type="text"/>

FINE-LINE JAW-WOOD ASSEMBLY



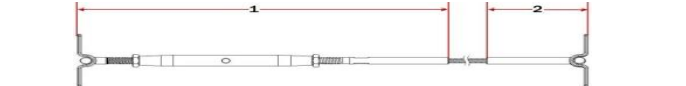
PART #	SIZE	QTY	COST	TOTAL
1) Lag Eye		<input type="text"/>	x \$ 7.95 =	<input type="text"/>
2) Fine-Line Jaw Turnbuckle				
	1/8"	<input type="text"/>	x \$ 36.95 =	<input type="text"/>
	3/16"	<input type="text"/>	x \$ 36.95 =	<input type="text"/>
FACTORY SWAGED ASSEMBLY (Requires Professional Swaging Service)				
3) Fixed Jaw Clevis				
	1/8"	<input type="text"/>	x \$ 10.80 =	<input type="text"/>
add Field Terminal		<input type="text"/>	x \$ 5.25 =	<input type="text"/>
	3/16"	<input type="text"/>	x \$ 10.80 =	<input type="text"/>

FINE-LINE JAW - EYE ASSEMBLY



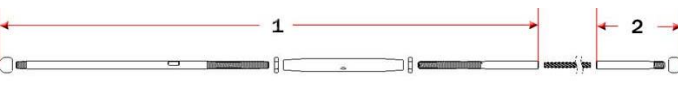
PART #	SIZE	QTY	COST	TOTAL
1) Surface Mount Eye		<input type="text"/>	x \$ 9.75 =	<input type="text"/>
2) Fine-Line Jaw Turnbuckle				
	1/8"	<input type="text"/>	x \$ 36.95 =	<input type="text"/>
	3/16"	<input type="text"/>	x \$ 36.95 =	<input type="text"/>
FACTORY SWAGED ASSEMBLY (Requires Professional Swaging Service)				
3) Fixed Jaw Clevis				
	1/8"	<input type="text"/>	x \$ 10.80 =	<input type="text"/>
add Field Terminal		<input type="text"/>	x \$ 5.25 =	<input type="text"/>
	3/16"	<input type="text"/>	x \$ 10.80 =	<input type="text"/>

SURFACE MOUNT TOGGLE ASSEMBLY



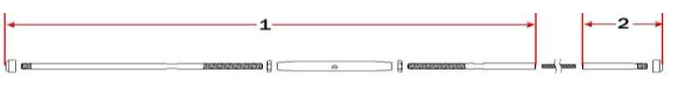
PART #	SIZE	QTY	COST	TOTAL
1) Surface Mount Turnbuckle				
	1/8"	<input type="text"/>	x \$ 16.45 =	<input type="text"/>
	3/16"	<input type="text"/>	x \$ 22.95 =	<input type="text"/>
2) Surface Mount Toggle End				
	1/8"	<input type="text"/>	x \$ 7.45 =	<input type="text"/>
	3/16"	<input type="text"/>	x \$ 8.95 =	<input type="text"/>
Mounting Screws (order 2 per fitting)				
	for 1/8" - #12x1 1/4"	<input type="text"/>	x \$ 0.52 =	<input type="text"/>
	for 3/16" - #14x 1 1/4"	<input type="text"/>	x \$ 0.58 =	<input type="text"/>

CLASSIC BALL ASSEMBLY



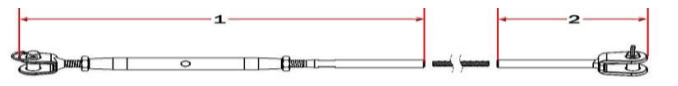
PART #	SIZE	QTY	COST	TOTAL
1) Classic Ball Turnbuckle				
	3/16"	<input type="text"/>	x \$ 18.95 =	<input type="text"/>
2) Swage Ball End - Long				
	3/16"	<input type="text"/>	x \$ 7.95 =	<input type="text"/>
FACTORY SWAGED ASSEMBLY (Requires Professional Swaging Service)				
2) Swage Ball End - Short				
	3/16"	<input type="text"/>	x \$ 7.95 =	<input type="text"/>

CLASSIC BUTTON ASSEMBLY



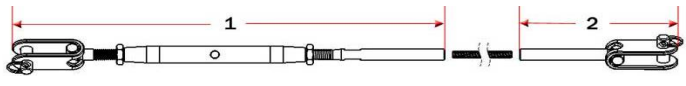
PART #	SIZE	QTY	COST	TOTAL
1) Classic Button Turnbuckle				
	3/16"	<input type="text"/>	x \$ 18.95 =	<input type="text"/>
2) Swage Button End - Long				
	3/16"	<input type="text"/>	x \$ 7.95 =	<input type="text"/>
FACTORY SWAGED ASSEMBLY (Requires Professional Swaging Service)				
2) Swage Button End - Short				
	3/16"	<input type="text"/>	x \$ 7.95 =	<input type="text"/>

EUROPEAN JAW ASSEMBLY



PART #	SIZE	QTY	COST	TOTAL
1) European Jaw Turnbuckle				
	3/16"	<input type="text"/>	x \$ 15.45 =	<input type="text"/>
2) European Jaw End				
	3/16"	<input type="text"/>	x \$ 7.95 =	<input type="text"/>

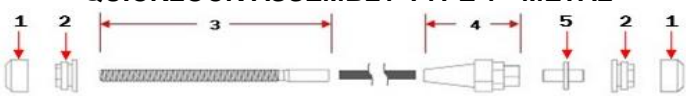
CLASSIC JAW ASSEMBLY



PART #	SIZE	QTY	COST	TOTAL
1) Classic Jaw Turnbuckle				
	3/16"	<input type="text"/>	x \$ 16.95 =	<input type="text"/>
2) Classic Jaw End				
	3/16"	<input type="text"/>	x \$ 8.95 =	<input type="text"/>

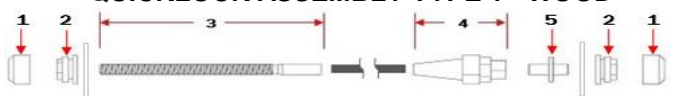
Cable Infil ORDER FORM - 3

QUICKLOCK ASSEMBLY TYPE 1 - METAL



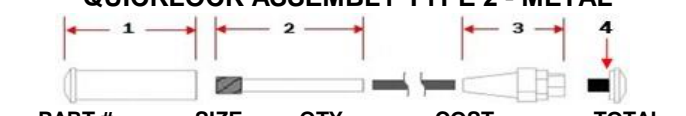
PART #	SIZE	QTY	COST	TOTAL
1) Cable Quick Nut Cover	1/8"	<input type="text"/>	x \$ 4.15 =	<input type="text"/>
2) Cable Quick Nut	1/8"	<input type="text"/>	x \$ 2.15 =	<input type="text"/>
3) Factory Swaged Tensioner	1/8"	<input type="text"/>	x \$ 6.95 =	<input type="text"/>
4) Swageless Receiver	1/8"	<input type="text"/>	x \$ 8.95 =	<input type="text"/>
5) Quick Nut Connector	1/8"	<input type="text"/>	x \$ 7.45 =	<input type="text"/>

QUICKLOCK ASSEMBLY TYPE 1 - WOOD



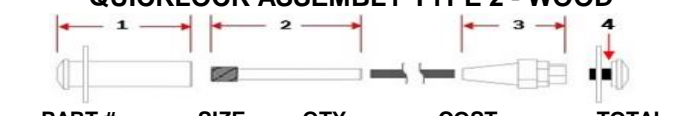
PART #	SIZE	QTY	COST	TOTAL
1) Cable Quick Nut Cover	1/8"	<input type="text"/>	x \$ 4.15 =	<input type="text"/>
2) Cable Quick Nut w/Wood Washer	1/8"	<input type="text"/>	x \$ 3.65 =	<input type="text"/>
3) Factory Swaged Tensioner	1/8"	<input type="text"/>	x \$ 6.95 =	<input type="text"/>
4) Swageless Receiver	1/8"	<input type="text"/>	x \$ 6.95 =	<input type="text"/>
5) Inside Thread Stud	1/8"	<input type="text"/>	x \$ 7.45 =	<input type="text"/>

QUICKLOCK ASSEMBLY TYPE 2 - METAL



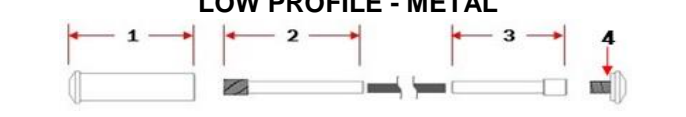
PART #	SIZE	QTY	COST	TOTAL
1) Quick Receiver	1/8"	<input type="text"/>	x \$ 4.15 =	<input type="text"/>
2) Quick Receiver Stud	1/8"	<input type="text"/>	x \$ 2.15 =	<input type="text"/>
3) Swageless Receiver	1/8"	<input type="text"/>	x \$ 6.95 =	<input type="text"/>
4) Terminal Bolt Hex	1/8"	<input type="text"/>	x \$ 6.95 =	<input type="text"/>

QUICKLOCK ASSEMBLY TYPE 2 - WOOD



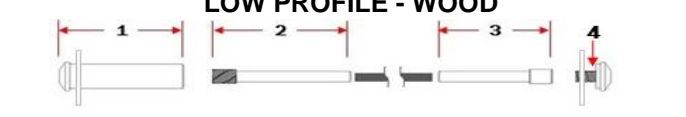
PART #	SIZE	QTY	COST	TOTAL
1) Quick Receiver w/Wood Washer	1/8"	<input type="text"/>	x \$ 5.65 =	<input type="text"/>
2) Quick Receiver Stud	1/8"	<input type="text"/>	x \$ 2.15 =	<input type="text"/>
3) Swageless Receiver	1/8"	<input type="text"/>	x \$ 6.95 =	<input type="text"/>
4) Terminal Bolt Hex w/Wood Washer	1/8"	<input type="text"/>	x \$ 8.45 =	<input type="text"/>

LOW PROFILE - METAL



PART #	SIZE	QTY	COST	TOTAL
1) Quick Receiver	1/8"	<input type="text"/>	x \$ 4.15 =	<input type="text"/>
2) Quick Receiver Stud	1/8"	<input type="text"/>	x \$ 2.15 =	<input type="text"/>
3) Quick Terminal	1/8"	<input type="text"/>	x \$ 6.95 =	<input type="text"/>
4) Terminal Bolt Hex	1/8"	<input type="text"/>	x \$ 6.95 =	<input type="text"/>

LOW PROFILE - WOOD



PART #	SIZE	QTY	COST	TOTAL
1) Quick Receiver w/Wood Washer	1/8"	<input type="text"/>	x \$ 5.65 =	<input type="text"/>
2) Quick Receiver Stud	1/8"	<input type="text"/>	x \$ 2.15 =	<input type="text"/>
3) Quick Terminal	1/8"	<input type="text"/>	x \$ 6.95 =	<input type="text"/>
4) Terminal Bolt Hex w/Wood Washer	1/8"	<input type="text"/>	x \$ 8.45 =	<input type="text"/>

CABLE OPTIONS

PART #	# OF FEET	COST	TOTAL
1x19 1/8" Cable	<input type="text"/>	x \$ 0.49 =	<input type="text"/>
1x19 3/16" Cable	<input type="text"/>	\$ 0.85	<input type="text"/>
7x7 3/16" Cable	<input type="text"/>	x \$ 0.79 =	<input type="text"/>

SWAGING & TOOL OPTIONS

PART #	SIZE	QTY	COST	TOTAL
Professional Swaging Service (per cable end)				
		<input type="text"/>	x \$ 2.95 =	<input type="text"/>
Cable Crimping Tool				
	for 1/8"	<input type="text"/>	x \$ 124.95 =	<input type="text"/>
	for 3/16"	<input type="text"/>		
Cable Cutter for 1/8"				
		<input type="text"/>	x \$ 24.95 =	<input type="text"/>
Cable Cutter for 3/16"				
		<input type="text"/>	x \$ 74.95 =	<input type="text"/>