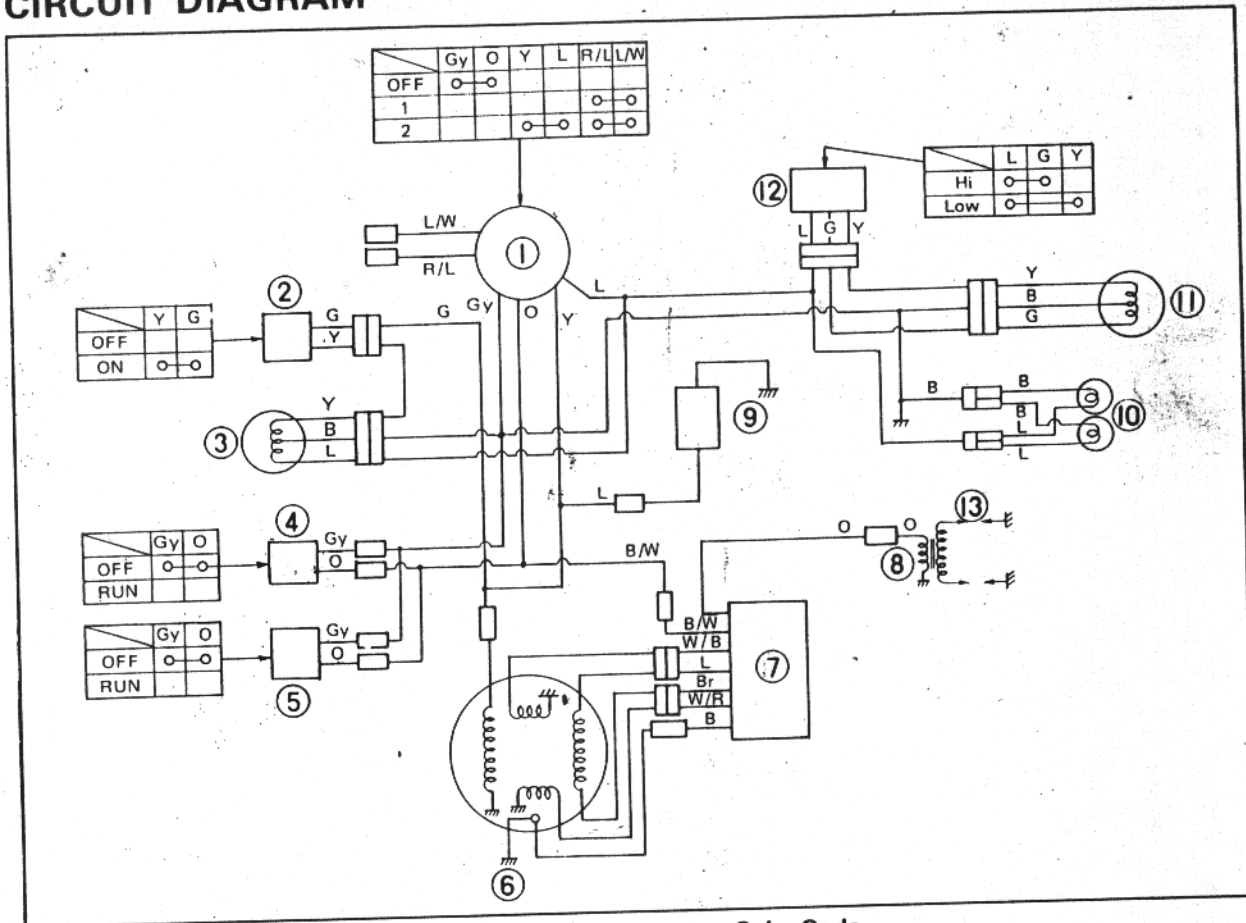


CIRCUIT DIAGRAM



1. Main switch
2. Stop light switch
3. Tail/stop light (12V 8W/23W)
4. Tether switch
5. Engine stop switch
6. C.D.I. magneto
7. C.D.I. unit
8. Ignition coil
9. Voltage regulator
10. Meter light (12V 3.4W/ ×2)
11. Head light (12V 60W/60W)
12. Beam switch
13. Spark plug

Color Code

- L/W Blue/White
- W/R White/Red
- B/W Black/White
- R/L Red/Blue
- W/B White/Black
- G Green
- B Black
- Y Yellow
- L Blue
- O Orange
- Gy Gray
- Br Brown

EXCITER 340-440 B 1978