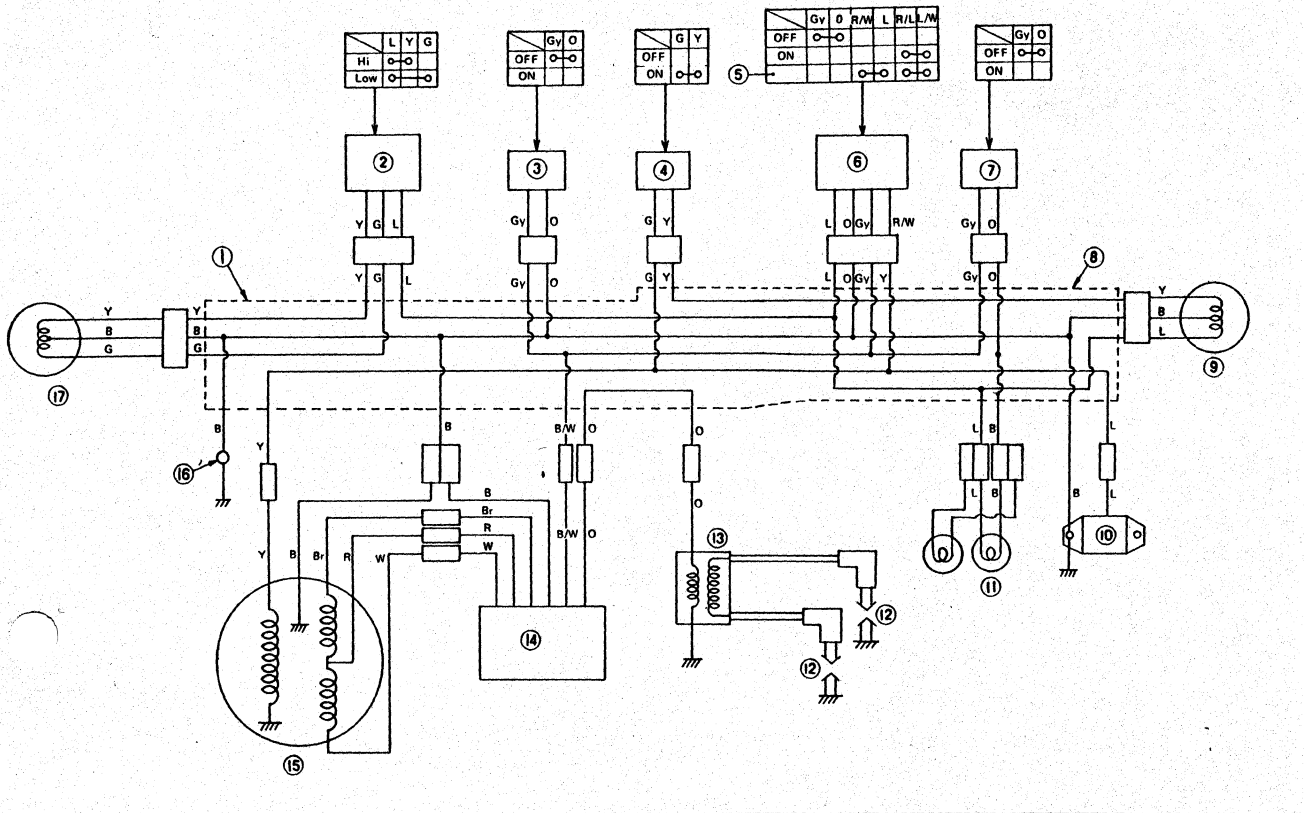


1. New: 31.6 mm (1.24 in)
2. Wear limit: 26 mm (1.02 in)

4-5. ELECTRICAL

Electrical wiring diagram



1. Wire harness 1
2. Beam switch
3. Engine stop switch
4. Stop light switch
5. Light
6. Main switch
7. Tether switch
8. Wire harness 2
9. Tail light (12V-23/8W)
10. Voltage regulator

11. Meter light (12V-3,4W)
12. Spark plug
13. Ignition coil
14. C.D.I. Unit
15. C.D.I. Magneto
16. Ground to chassy
17. Head Light (12V-60/55W)

W : White
 L : Light blue
 Y : Yellow
 G : Green
 O : Orange
 B : Black
 R : Red
 Br : Brown
 Gy : Gray
 R/W : Red & White
 R/L : Red & Light blue
 L/W : Light blue & White
 B/W : Black & White

SRX 440 B 1978