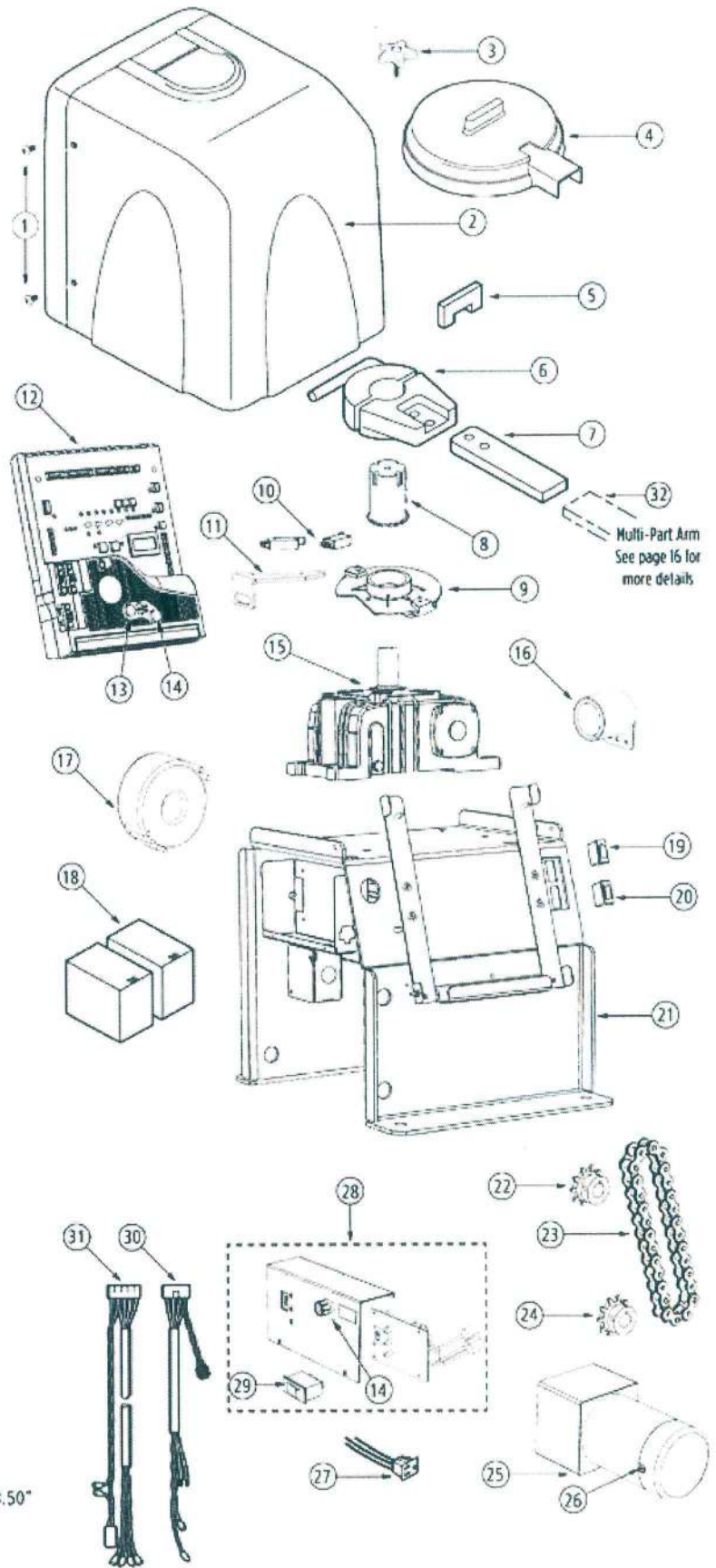


# PARTS DIAGRAM:

## THE VIKING R-6™

Item	Description	Part No.
1	Cover Bolt (2)	VASWCB
2	Operator Cover	VAR6CO20
3	Output Shaft Knob	DWOUK10
4	Output Shaft Cover	DWOC10
5	Clutch Key	VAWRCK20
6	Clutch and Handle	DWCL20
7	Output Arm	DWAR20
8	Output Shaft	R6OPS20
9	Limit Cam & Holder	DWLC10
10	Limit Switch (2)	DULS10
11	Limit Switch Holder	DWLH10
12	Control Board	VFLEXPCB
13	Fuse - 15 amp	VNXF15A
14	Fuse - 4 amp	VNXF4A
15	Worm Gear #60 Ratio 30:1	R6GB60
16	Alarm	DUAL10
17	Toroid Transformer - 10 amp	DUTTI0
18	Battery	DUBA12
19	Motor Switch	DUMRS10
20	Battery Switch	DUMRS10
21	Chassis	VNXR6CH
22	41B10 3/4 Sprocket (Gear)	VASPI034
23	Chain #40x38 Pitches	R6CHN40
24	41B10 5/8 Sprocket (Motor)	VASPI058
25	24V DC Gearhead Motor	VAR6MO
26	Brush Kit	VAMBK
27	120V Receptacle	VAI20PL
28	Power Supply Panel Assembly	VNXR6PSPA
29	Main Power Switch	DUMRS10
30	Power Harness	VNXR6PH
31	Limit Switch Harness	VNXR6LSH
32	Multi-Part Arm	VA-FIARM20



Overall Dimensions

