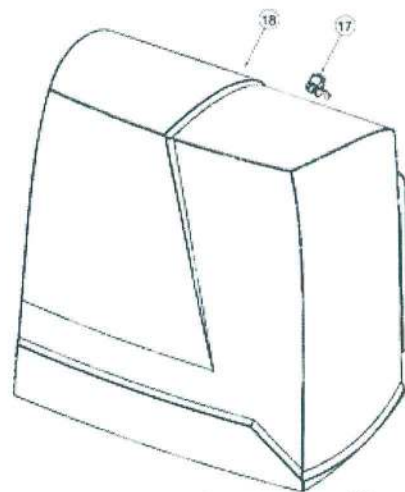
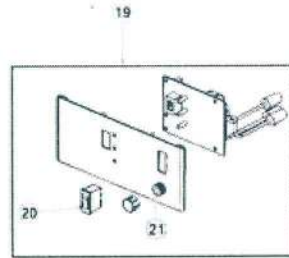
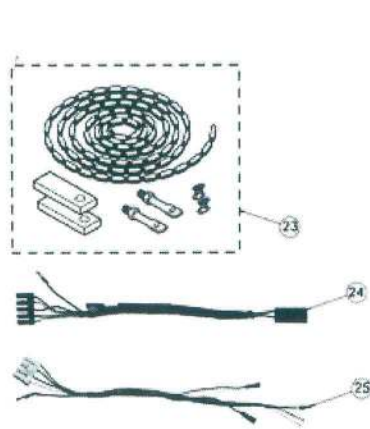
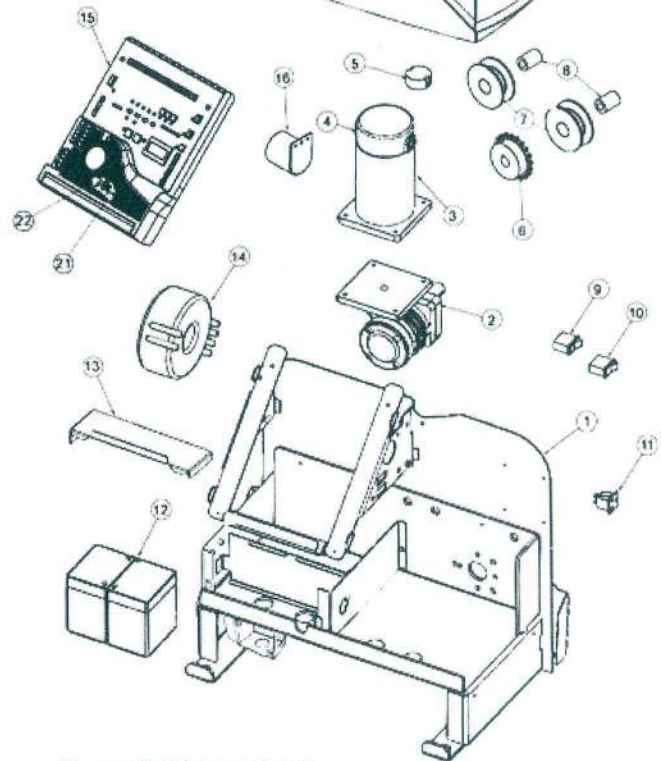


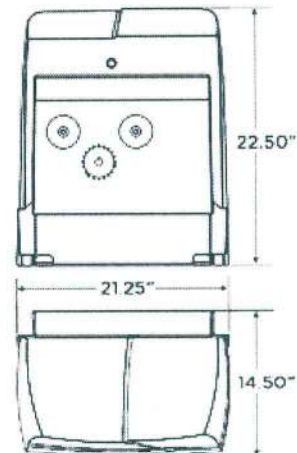
PARTS DIAGRAM:



Item	Description	Part No.
1	Chassis	VNXX2CH
2	Gear Box	VNXX2GB
3	Motor	VNXX2MO
4	Brush Kit	VAMBK
5	Electronic Positioning Sensor 2 (EPS2)	VNXL3EPS2
6	40B17 Sprocket	VNXFSP17
7	Idler Pulley	DSIP10
8	Idler Bushing (w/hardware)	DSIB10
9	Manual Release Switch	DUMRS10
10	Battery Switch	DUAL10
11	120V Receptacle	DUOL120
12	Battery	DUBA12S
13	Power Supply Cover	VNXX2PSC
14	Toroid Transformer - 10 amp	DUTT10
15	Control Board	VFLEXPCB
16	Alarm	DUAL10
17	Key and Lock	VNXSLCL
18	Operator Cover	VNXX2CV
19	Power Supply Panel Assembly	VNXX2PSPA
20	120VAC Power Switch	DUMRS10
21	Fuse - 4 amp	VNXF4A
22	Fuse - 15 amp	VNXF15A
23	25' #40 Chain Kit, Nickle Coated	VAL3CKN
24	Motor Harness	VNXX2MH
25	Power Harness	VNXX2PH



Overall Dimensions



Weight - 102 lbs.