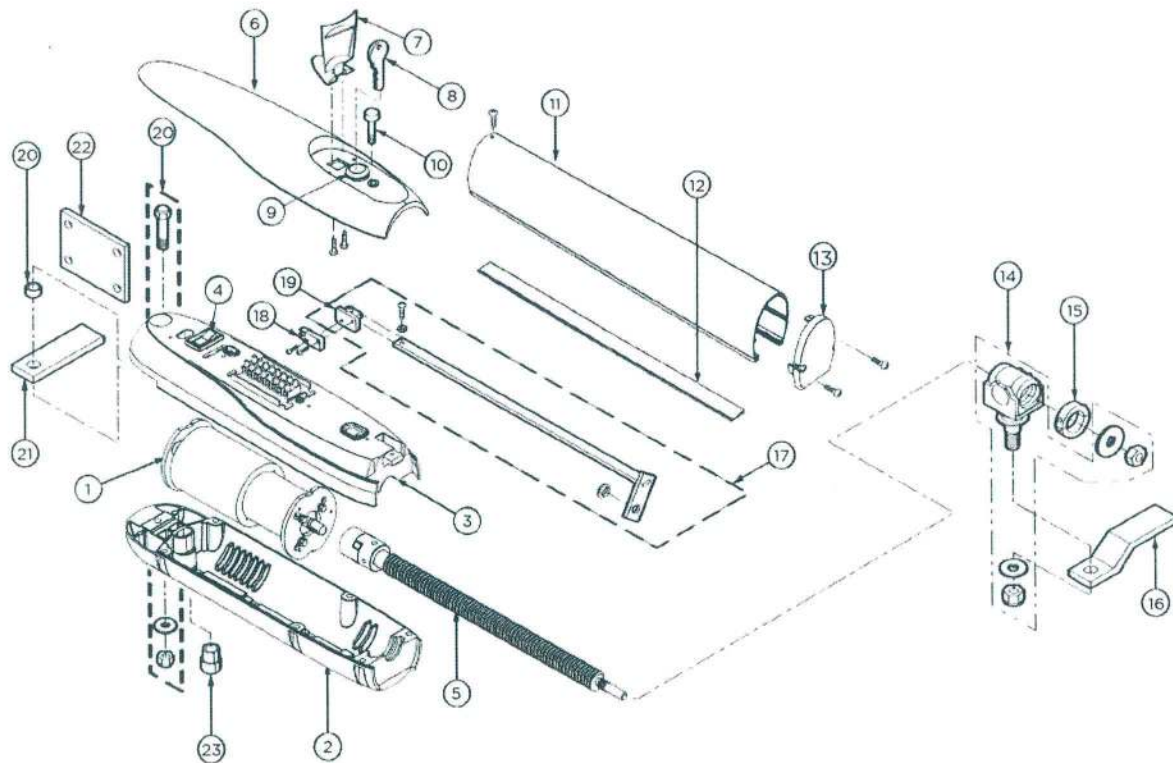
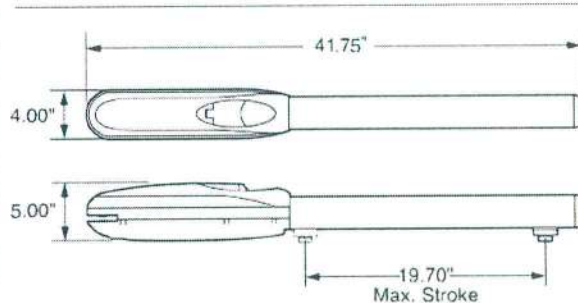


**PARTS DIAGRAM**



Item	Description	Part No.
1	24V DC Motor	VNXG5MO
2	G5 Motor Casing Lower	VNG5CL
3	G5 Motor Casing Upper	VNG5CU
4	Manual Release Switch	DUMRS20
5	Lead Screw w/ Coupler	VNXG5LDSW
6	Cover, Terminal	VNXG5CT
7	Door, Cover Release	VNXG5DCR
8	Key, Cover Release	VNXG5K
9	Key Cylinder, Cover Release	VNXG5KC
10	Thumbscrew, Cover Release	VNXG5TSCR
11	Cover Lead Screw	VNXG5CLS
12	Dust Brush (2)	VNXG5DB
13	End Cap, Lead Screw Cover	VNXG5ECC
14	Carrier w/ Hardware	VNXG5C78
15	Positive Stop	VAG5PSE
16	Mounting Bracket, Front	VNXG5MBF78
17	Limit Mounting Bar	VNXG5LMB
18	Limit Switch (2)	VNXG5LS
19	Limit Switch Bracket	VNXG5LSB
20	Mounting Hardware, Back	VNXG5MHB
21	Mounting Bracket, Back	VNXG5MBB
22	Backing Plate, Bar Mount (2)	VNXG5BPBM
23	Strain Relief, Chasis	VNXG5SRCH

**Overall Dimensions**



**Weight**

**40 lb.**

**WARNING - For Installation By Qualified Personnel Only.**

