

# Installation Guide

## Privacy, Picket and Ranch Rail Gates

The following instructions will guide you through the installation of your new gate. Follow the style specific instructions for assembling the gate for the fence style you've purchased.

**Remember to register your Limited Lifetime Warranty at the website designated on the box label.**

### What You'll Need

- Power auger or post hole digger and shovel
- Post hole concrete and gravel
- String line, stakes and level
- Electric drill
- 5/8" drill bit, 1/8" drill bit
- 5/16" socket (1/4" drive)
- 1/4" driver/drill extension
- Two 3/4" combination wrenches
- Tape measure
- Safety glasses and work gloves
- PVC adhesive
- Miter Saw/Chop Saw (optional if cutting down rails or pickets)
- Circular saw/table saw (optional if cutting privacy panels to decrease gate width.)
- Carpenters Square
- #4 x 6' (1/2" diameter x 6') Rebar Rods

## Installation Steps

### Step 1. Layout Fence and Position posts

- *Remember* – Consider soil conditions, slopes, utility locations and property lines when positioning posts.
- Run a string line to locate the fence line, using the line to establish the outside faces of your posts (Fig 1).
- Stake out the fence posts, locating line, corner, end and gate posts. Mark the centers of the post locations for your fence style and gate using dimensions from the Post Location Chart below.

#### Post Location Chart

The following chart summarizes sizes and measurements for posts, fence section and gates widths. Gate widths can be smaller but will require making adjustments to the gate. See "Adjusting Gate Width" section for more information.

Fence Style	Post Size	Gate Opening	Gate: On Center Distance
Picket Fence	4 x 4	48"	52"
Privacy & Privacy w/ Lattice	5 x 5	48"	53"
Ranch Rail	5 x 5	72"	77"

\* On-Center means from center of on post to the center of the next post.

Fig. 1 Sample staking and post lay-out

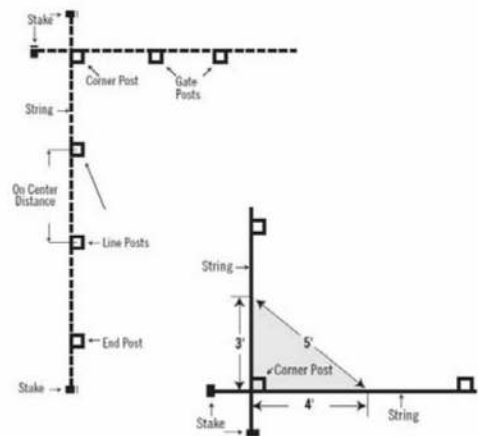
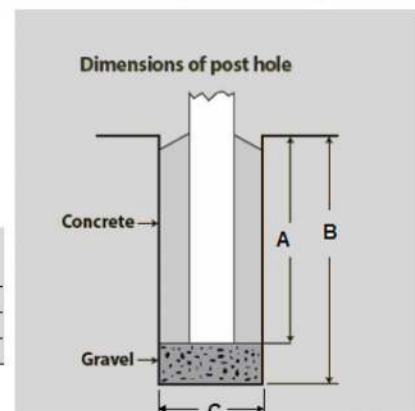


Fig. 2 3-4-5 Triangle Method

### Step 2. Set Gate Posts with Rebar Reinforcement

- *Remember* – Call before you dig. Contact your local utility providers to locate underground utilities in the area.
  - Check applicable building codes, including local recommendations, for proper installation requirements and recommendations (e.g. ASTM F-199-14 has additional recommendations for applications in frost regions).
- Reinforce hinge and latch posts with 2 – 6' pieces of #4 rebar (Fig. 4).
- Mix concrete according to manufacturer's specifications. Place and hold the post while pouring concrete 6" at a time and tamping to eliminate air pockets. Leave enough space at the top of the concrete to allow sod to grow around post. Set the correct post height, plumb and level each post.

Fence Style	Post Size	Post Depth (A)	Post Hole Depth* (B)	Post Hole Diameter (C)
Picket Fence	4 x 4	24"	30"	10"
Privacy & Privacy w/ Lattice	5 x 5	32"	38"	12"
Ranch Rail	5 x 5	24"	30"	12"



### Step 3. Assemble Gate

- Assemble your gate as shown on pages 2-4.

### Step 4. Determine Hinge and Latch Location and Install

- Install hinges and latch on gate and hold gate up to gate posts to mark location of hinges on post.
- Remove Gate post side hinge and install hardware on gate posts.

### Step 5. Reinforce Posts with Concrete

- Make sure to install hinges and latch prior to setting posts and pouring concrete.
- Pour concrete into posts, tamping occasionally to remove air pockets.
- Before concrete sets, site down the fence line and adjust posts, if necessary. If posts are too high, place a wooden block across the top of the post and tap down with a rubber mallet. Allow post concrete to set 24 – 48 hours before hanging gate in place.

### Step 6. Hang Gate

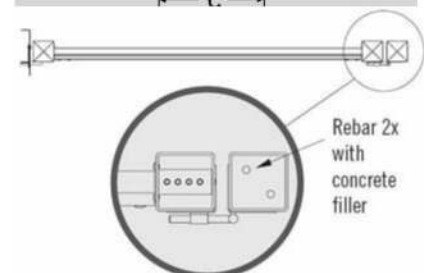
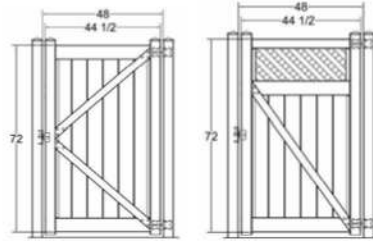


Fig. 4 Reinforce Gate Posts

### Step 3. Assemble and install gates

Having set your posts, you are now ready to assemble the gate for your fence style. Style specific section assembly instructions are described below. Remember – Protect the finish of your gate during assembly by assembling on a dry, clean and flat surface.

#### Privacy & Privacy w/ Lattice



- Measure Gate Opening:** Ensure that the gate opening is between 46 1/2" and 48". If the opening is less than 46 1/2" refer to the "Adjusting Gate Width" section at the end of the installation guide.
- Install U-channels (and Lattice Channels) to Uprights:** Center the U-Channel (and Lattice Channels) on the 4 x 4 uprights between the gate pockets and secure it with the three 1" self-tapping screws provided using the 5/16" sockets. Repeat with the second U channel(s) on the other upright. *Note: The top and bottom screws should be about 2" from inside of the top and bottom rails.*
- Insert Rails.** Insert rails into one of the 4 x 4 uprights.
- Install Panels:** Slide panels into place in the rails. Ensure tongue and groove of each panel lock together.
- Install Lattice (Lattice Gate only):** Insert lattice into slotted mid rail and top rail.
- Install 2<sup>nd</sup> Upright:** Insert rails into the second upright and push uprights together as far as they can go.
- Square Gate and Secure rails in Gate Pocket:** Square the gate using the carpenters square and secure the top and bottom rails in the gate pockets using four 1" self-tapping screws provided. The pattern should look similar to Fig. 5.
- Determine Placement of Cross Braces:** Determine which side of the gate you would like the cross brace(s) to be on. Next lay out the cross braces such that the bottom brace starts at the bottom on the hinge side as shown in the figures. **Important: Cross brace position is critical to the performance of the gate.**
- Drill Holes in Cross Brace.** Drill three 5/8" holes into one face only at the end of each brace following a triangle pattern with similar dimensions to Fig. 6.
- Install Cross Brace:** After all holes are drilled, install the cross braces using the screws provided.
- Install Hole Plugs:** Snap in hole plugs. A rubber mallet may be required for this step.
- Install Hinges and Latch on Gate:** Make sure the gate side of the hinges and latch line up with the post side hinges and latch and install hardware. *Note: We recommended pre-drilling 1/8" holes for the screws prior to installation.*
- Hang Gate and Adjust Hinges to Square up gate.** Tighten nuts on the hinges using two 3/4" wrenches.
- Install 4 x 4 Caps:** Glue caps onto the post with a UV rated, "hot glue" classified PVC adhesive. Use the glue included with kit.

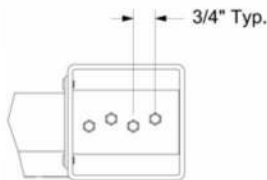


Fig. 5 Securing Rail in Gate Pocket

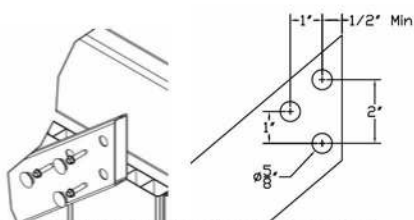
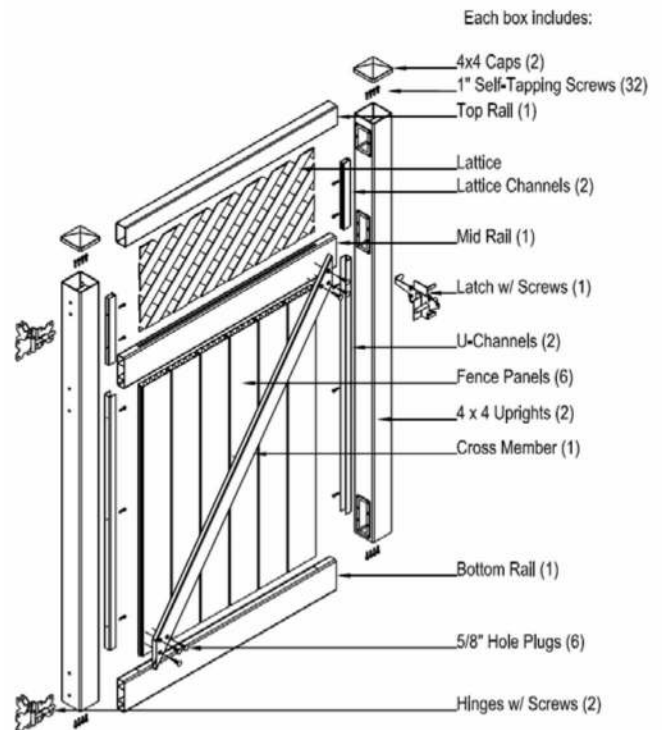
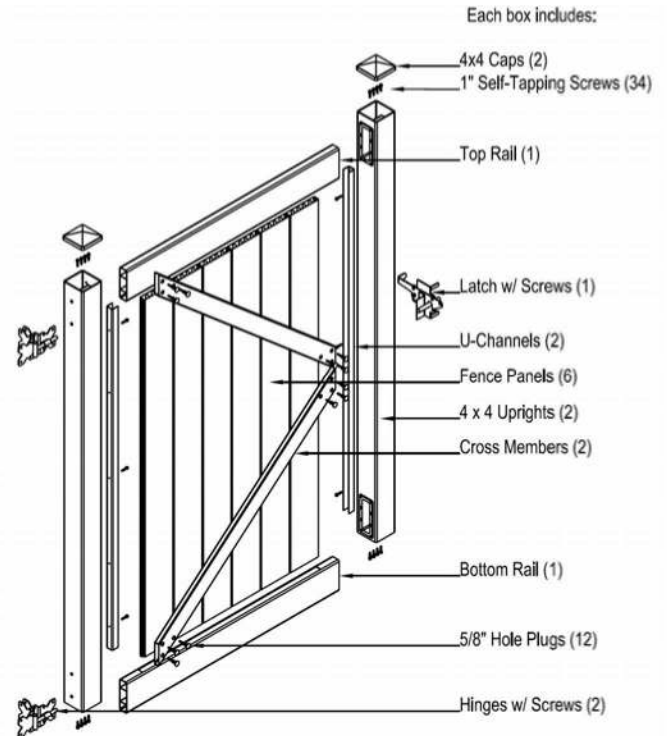
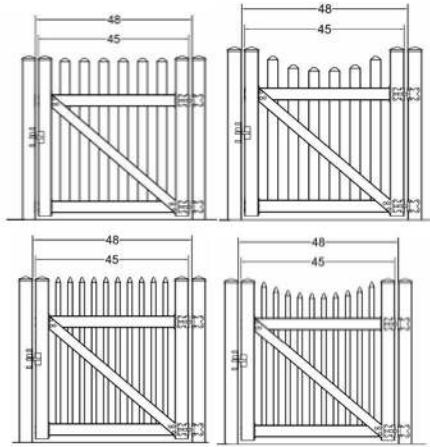


Fig. 6 Approximate Hole Locations for Cross Brace



# Picket

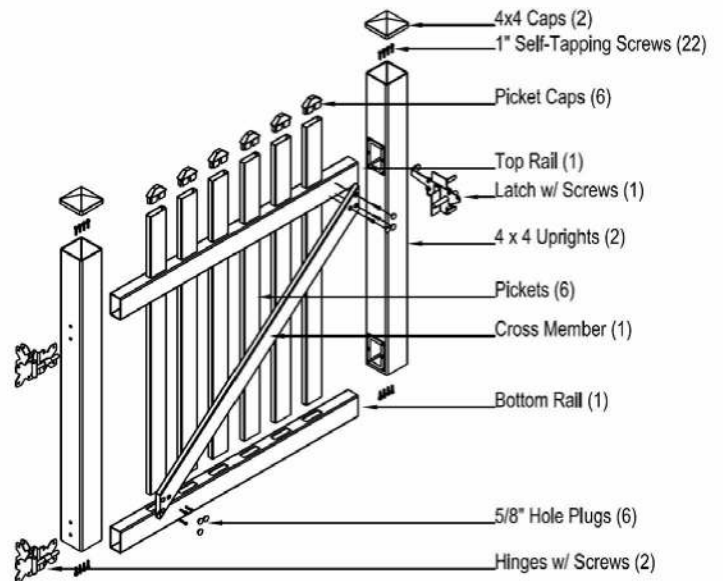


- Measure Gate Opening:** Ensure that the gate opening is between 47" and 48". If the opening is less than 47" refer to the "Adjusting Gate Width" section at the end of the installation guide.
- Insert Rails:** Insert rails into one of the 4 x 4 uprights. (depending on gate opening)
- Install 2<sup>nd</sup> Upright:** Insert rails into the second upright and push uprights together as far as they can go.
- Cut Pickets (Scalloped Design Only):** For the Wide and Narrow Scalloped Picket styles, cut the un-notched ends of the straight pickets to the required length, using the chart below. Number each picket with a pencil to identify their individual location in the completed gate. Once all pickets are cut to length, layout the numbered pickets for each section to form the scalloped curve.
- Install Picket Caps:** Carefully apply PVC adhesive to the inside of the un-notched end of the picket and insert picket caps into this end of the picket, ensuring a tight fit between the cap and picket. If needed, tap the picket cap into place with a rubber mallet.
- Align Pickets:** Line up the pickets for the section so that the notched ends are facing the same direction.
- Install Pickets into Rails:** Slide the pickets through the top rail, one at a time. Then insert pickets one at a time into the bottom rail, until the notches are fully engaged. If necessary, use a rubber mallet to tap the pickets into place.
- Square Gate and Secure rails in Gate Pocket:** Square the gate using the carpenter's square and secure the top and bottom rails in the gate pockets using four 1" self-tapping screws provided. The pattern should look similar to Fig. 5 on Page 2.
- Determine Placement of Cross Brace:** Determine which side of the gate you would like the cross brace to be on. Next, lay out the cross braces such that the bottom brace starts at the bottom on the hinge side as shown in the figures. Important: Cross brace position is critical to the performance of the gate.
- Drill Holes in Cross Brace.** Drill three 5/8" holes into one face only at the end of each brace following a triangle pattern with similar dimensions to Fig. 6 on Page 2.
- Install Cross Brace:** After all holes are drilled, install the cross brace using the screws provided.
- Install Hole Plugs:** Snap in hole plugs. A rubber mallet may be required for this step.
- Install Hinges and Latch:** Make sure the gate side of the hinges and latch line up with the post side hinges and latch and install hardware. *Note: We recommended pre-drilling 1/8" holes for the screws prior to installation.*
- Hang Gate and Adjust Hinges to Square up gate:** Tighten nuts on the hinges using two 3/4" wrenches.
- Install 4 x 4 Caps:** Glue caps onto the post with a UV rated, "hot glue" classified PVC adhesive. Use the glue included with kit.

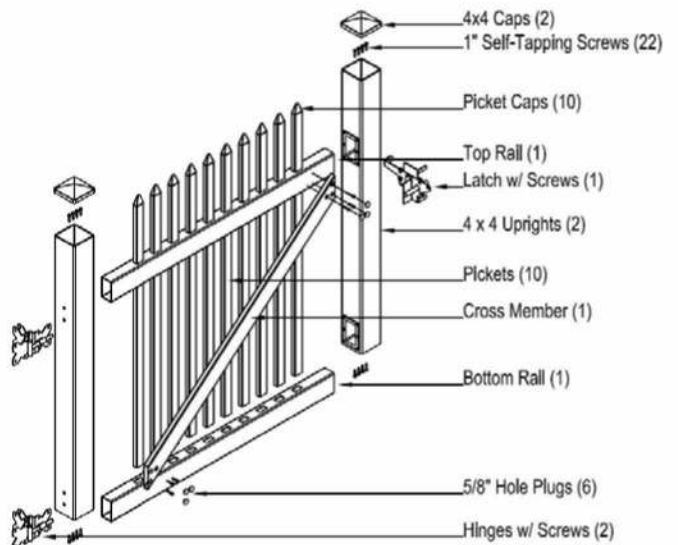
**Scalloped Picket Cutting Guide**

Narrow Scalloped		Wide Scalloped	
qty	length	qty	length
2	39 7/16	2	37 15/16
2	39 5/8	2	38 11/16
2	40 1/4	2	41 1/8
2	41 1/4		
2	42 3/4		

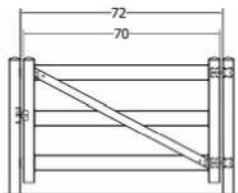
Each box includes:



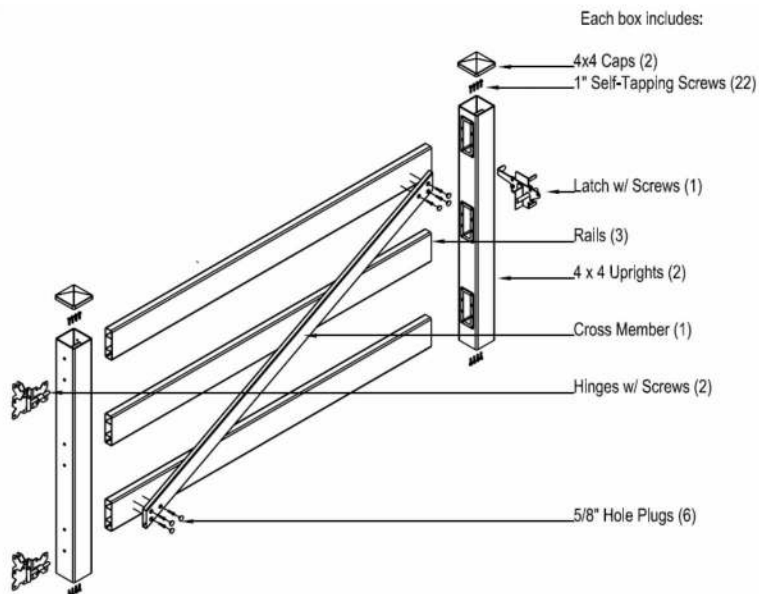
Each box includes:



## Ranch Rail



- Measure Gate Opening:** Ensure that the gate opening is between 71" and 74". If the opening is less than 71" refer to the "Adjusting Gate Width" section at the end of the installation guide.
- Insert Rails.** Insert rails into one of the 4 x 4 uprights.
- Install 2<sup>nd</sup> Upright:** Insert rails into the second upright and push uprights together as far as they can go.
- Square Gate and Secure rails in Gate Pocket:** Square the gate using the carpenter's square and secure the top and bottom rails in the gate pockets using four 1" self-tapping screws provided. The pattern should look similar to Fig. 5.
- Determine Placement of Cross Brace:** Determine which side of the gate you would like the cross braces to be on. Next lay out the cross brace such that the bottom brace starts at the bottom on the hinge side as shown in the figures.  
**Important: Cross brace position is critical to the performance of the gate.**
- Drill Holes in Cross Brace.** Drill three 5/8" holes *into one face only* at the end of each brace following a triangle pattern with similar dimensions to Fig. 6.
- Install Cross Brace:** After all holes are drilled, install the cross brace using the screws provided.
- Install Hole Plugs:** Snap in hole plugs. A rubber mallet may be required for this step.
- Install Hinges and Latch:** Make sure the gate side of the hinges and latch line up with the post side hinges and latch and install hardware. *Note: We recommended pre-drilling 1/8" holes for the screws prior to installation.*
- Hang Gate and Adjust Hinges to Square up gate.** Tighten nuts on the hinges using two 3/4" wrenches.
- Install 4 x 4 Caps:** Glue caps onto the post with a UV rated, "hot glue" classified PVC adhesive. Use the glue included with kit.



## Care & Cleaning

Occasionally, you may want to clean your fence. To do so, simply hose it off with your garden hose, using the spray nozzle. For tougher dirt, use warm water and mild, non-abrasive detergent (eg dish washing liquid) and non-abrasive cloth or soft scrub brush. Do NOT use abrasive cleaners, pads or hard scrub brushes – these may scratch the surface and affect the finish. For stubborn stains, use a soft cloth with PVC cleaner available from your local hardware store.

## Adjusting Gate Width:

If there is less than 1" between the width of the gate and the gate opening, the gate can be adjusted to the correct width in most cases using the following steps.

- Measure Gate Opening:** Measure the distance of the gate opening and subtract 2 1/2". The result will be the length to cut the rails of your gate.
- Cut Rails.** Using a miter saw or chop saw cut rails to the length determined in step a. **Note: If you are cutting down the rails for a picket gate, plan carefully before you cut! Make sure to take equal distances off each side to keep the pickets centered in the gate. Also note that if you have to shorten the rail too much you will end up with a picket hole that is partially exposed in the gate pocket.**
- Cut Lattice and Privacy Panels (Privacy and Privacy with Lattice Only):** The amount of length you take off the rails will also need to be taken off of the panels width-wise. Mark a panel down the length of the panel the correct distance from the edge and cut using a table saw or circular saw.
- Assemble Gate:** Following the standard installation instructions for your gate up until the step that requires the cross brace.
- Determine Placement of Cross Brace:** Determine which side of the gate you would like the cross braces to be on. Next lay out the cross brace(s) such that the bottom brace starts at the bottom on the hinge side as shown in the figures. **Important: Cross brace position is critical to the performance of the gate.**
- Mark Cross Brace for Cutting:** The cross brace will need to be re-cut to fit snugly in between the uprights. After squaring the gate, place the cross brace on the gate and mark the cross brace with a pencil as demonstrated in Fig 7.
- Cut Cross Brace:** Using a miter saw or chop saw, cut along lines marked in Step f.
- Complete Assembly and Installation:** Finishing attaching cross brace and the installing the gate according to the standard instructions for your gate.

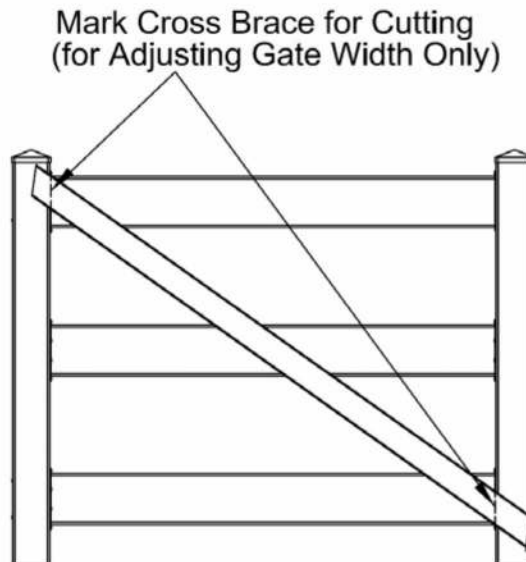


Fig. 7 Marking the Cross Brace for New Gate Width