

Main office:
Adress: 02222, Kyiv, Ukraine
22, Zakrevskogo str.
Phone: +38 044 501 39 44
Fax: +38 044 501 39 44
Website: www.opertec.tv
E-mail: office@opertec.tv
www.facebook.com/OperTecWorld
www.instagram.com/oper_tec



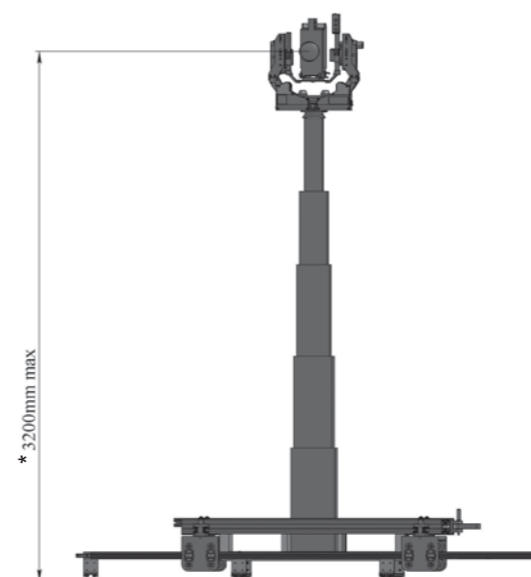
Main office:
Adress: 02222, Kyiv, Ukraine
22, Zakrevskogo str.
Phone: +38 044 501 39 44
Fax: +38 044 501 39 44
Website: www.opertec.tv
E-mail: office@opertec.tv
www.facebook.com/OperTecWorld
www.instagram.com/oper_tec



Active Dolly



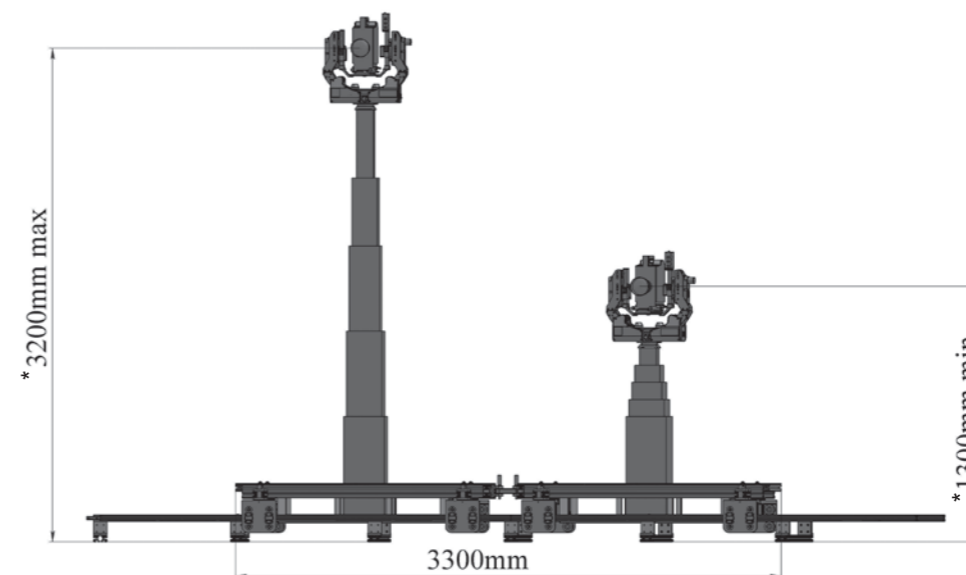
▶ One Dolly with one Lift ▶



Tracks (Possibility to install on different types of rail (straight or radial)	2700mm x 740 mm
Distance with cable management	70 m
Speed	6.5 m/sec
Acceleration of the Dolly	Fully adjustable acceleration range
Control of the Dolly	Joystick
Dolly power supply AC	380V
Maximum/Minimum temperature	+40/-25°C

Recommended to use with Active Head Milli, Active Head Milli ONE

▶ Two Dollies with two Lifts ▶

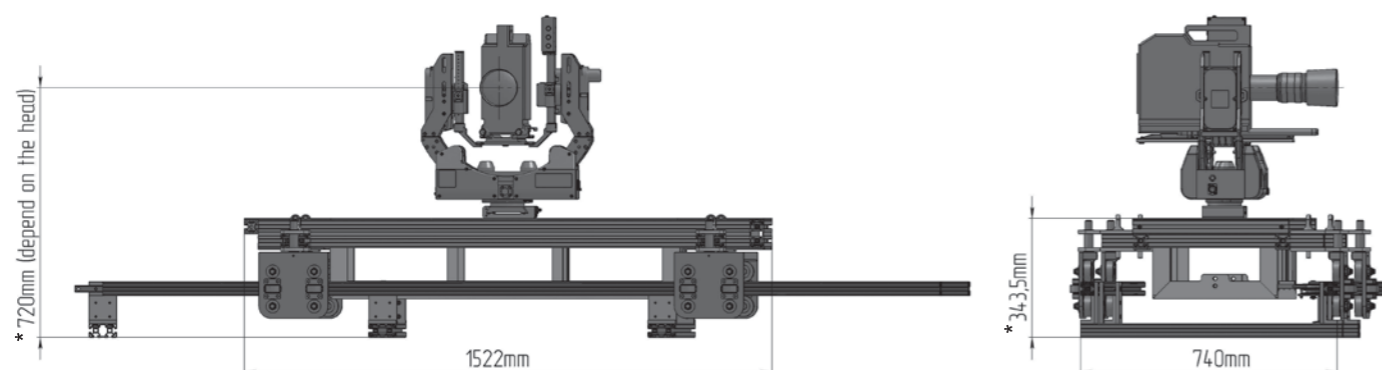


Tracks (Possibility to install on different types of rail (straight or radial)	2700mm x 740 mm
Distance with cable management	70 m
Speed	5 m/sec
Acceleration of the Dolly	Fully adjustable acceleration range
Control of the Dolly	Joystick
Dolly power supply AC	380V
Maximum/Minimum temperature	+40/-25°C

Recommended to use with Active Head Milli, Active Head Milli ONE

▶ Active Dolly ▶

Remotely controlled camera dolly « Active Dolly » is platform that provides movement on a rail pattern with simultaneous sinking and lifting of a stabilized panoramic head. This new generation of remote-controlled platforms with advanced technologies. To improve safety, the dolly is equipped with electronic parts and monitoring system of the track. Active Dolly is a versatile tracking system, which able to move at high speed and provide director with an exquisite tracking shoot. Can be used as for sports and entertainment venues, outside or inside, short and long distances. Perfect performance with the gyro-stabilized system Active head Milli, Active Head Milli ONE.



▶ Features: ▶

- ▶ Quick assembling
- ▶ Quiet running
- ▶ High speed
- ▶ Easy transportation
- ▶ Precise and simple remote control
- ▶ Safety
- ▶ Option of using only the Lift

Tracks (Possibility to install on different types of rail (straight or radial)	2700mm x 740 mm
Distance with cable management	70 m
Speed	10 m/sec
Acceleration of the Dolly	Fully adjustable acceleration range
Control of the Dolly	Joystick
Dolly power supply AC	380V
Maximum/Minimum temperature	+40/-25°C

Recommended to use with all types of Active Head

*Using with Active Head Milli One