

**Main office:**  
Address: 02222, Kyiv, Ukraine  
22, Zakrevskogo str.  
Phone: +38 044 501 39 44  
Fax: +38 044 501 39 44  
Website: [www.opertec.tv](http://www.opertec.tv)  
E-mail: [office@opertec.tv](mailto:office@opertec.tv)  
[www.facebook.com/OperTecWorld](http://www.facebook.com/OperTecWorld)  
[www.instagram.com/oper\\_tec](http://www.instagram.com/oper_tec)

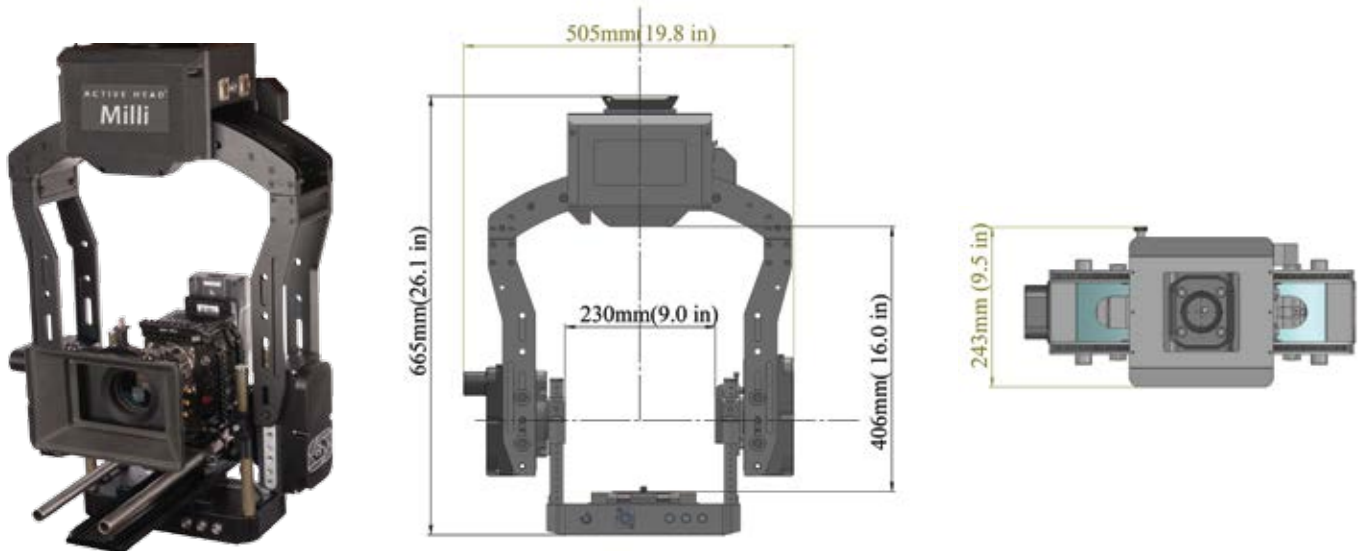


**OperTec**

**Active Head Milli**

## ▶ Gyro-stabilized head Active Head Milli ▶

This generation of digital heads shows high stabilization performance, regardless of its compact size and light weight. Easy balancing technology allows to save rigging time. The head is equipped with a digital lens control system that adds functionality and flexibility. It's available with a variety of control options such as Handwheels, Joystick and Pan Bar\*.



## ▶ Features: ▶

- ▶ Improved stabilization level which allows to achieve a balanced picture even under extremely rough and difficult operating conditions
- ▶ High angular velocity on all axes
- ▶ Compact Size and Light Weight
- ▶ Fast and effective rebalancing and calibration
- ▶ Solid and reliable construction
- ▶ Quick Assembly
- ▶ Axis position indication
- ▶ Remote controlled handling of lens Parameters (Focus, Iris, Zoom)
- ▶ Auto horizon
- ▶ Control capability by cable or wireless

Height	665 mm/ 26.1 in
Widht	505 mm/ 19.8 in
Depth	243 mm/ 9.5 in
Power Supply AC	(90-264V); 500W(peak)
Power Supply DC	(19-72V); 500W(peak)
Pan angular speed	270 deg/sec
Tilt angular speed	270 deg/sec
Roll angular speed	100 deg/sec
Roll range	40 deg
Weight	18 kg/ 39.7 lbs
Maximum usable focal length	250 mm
Payload	25 kg/ 55 lbs

This model fits for all of the common types of Cranes, Remote Controlled Platforms and Helicopter/Aerial Systems.

\*Pan Bar on request

