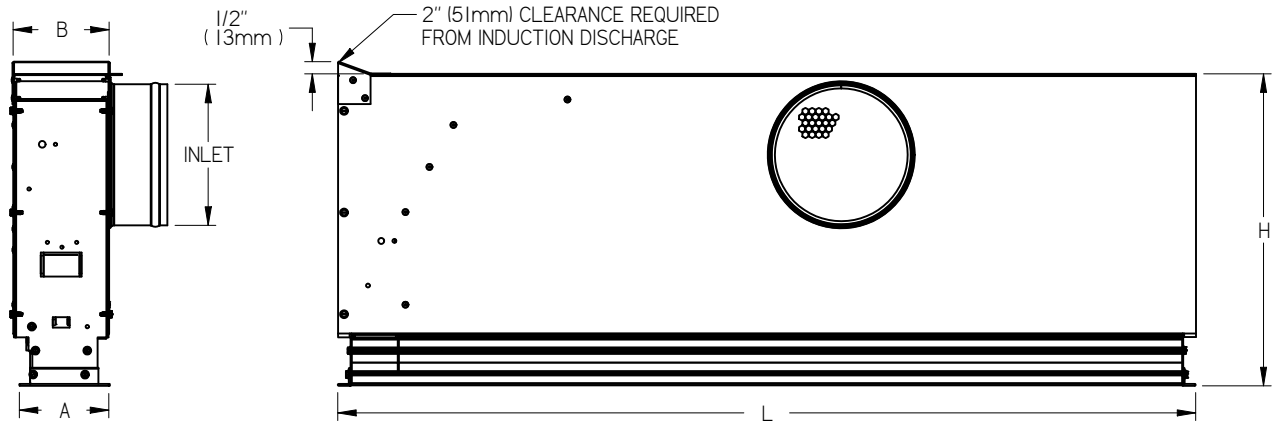
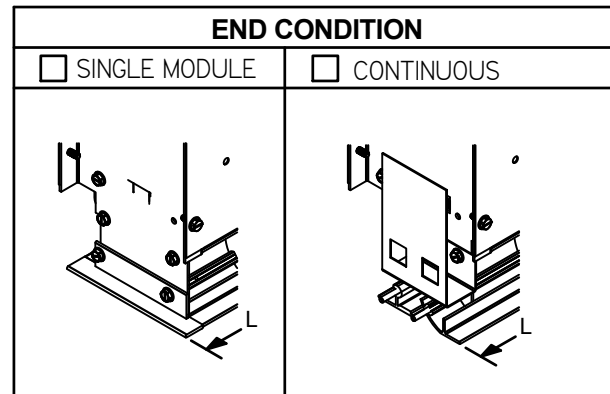


## TL - Therma-Fuser™ VAV DIFFUSER Thermal Linear Slot Diffuser With Blade Dampers



	A	B
<input type="checkbox"/> 1 Slot, 1 Way	2 9/16" 65mm	4" 102mm
<input type="checkbox"/> 2 Slot, 1 Way	3 3/4" 95mm	4" 102mm
<input type="checkbox"/> 2 Slot, 2 Way	4" 102mm	4" 102mm
<input type="checkbox"/> 4 Slot, 1 Way	6" 152mm	6 5/16" 160mm
<input type="checkbox"/> 4 Slot, 2 Way	6 3/8" 162mm	6 5/16" 160mm



### OPERATION:

- C - VAV COOLING ONLY
- CW - VAV COOLING AND CV HEATING
- D - MANUALLY ADJUSTABLE
- RAD - MATCHING RETURN, DUCTED WITH PLENUM
- RAP - MATCHING RETURN, FOR OPEN PLENUM

### STANDARD CONSTRUCTION:

- EXTRUDED ALUMINUM DIFFUSER FACE
- COATED STEEL PLENUM

### SETPOINT RANGE:

- STANDARD RANGE FOR HEATING AND COOLING  
70 TO 78°F (21 TO 26°C)
- HCSP - HIGHER COOLING RANGE  
74 TO 80°F (23 TO 28°C)

### NOTES:

- CONTINUOUS DIFFUSERS - FIELD TRIMMING MAY ONLY BE DONE ON TYPE RAP RETURN SECTIONS
- END ANGLES FOR CONTINUOUS UNITS ARE SHIPPED LOOSE FOR FIELD INSTALLATION AT ENDS OF RUN
- FACTORY DEFAULTS:  
SET TO 74°F (23°C) WITH STANDARD RANGE  
COOLING SET TO 80°F (26.5°C) WITH HCSP OPTION
- FACTORY TOLERANCE ±1/16" (2mm)

Nom. Length	L	
	Single Unit	Continuous
<input type="checkbox"/> 24"	23 3/4"	24 5/8"
<input type="checkbox"/> 36"	35 3/4"	36 5/8"
<input type="checkbox"/> 48"	47 3/4"	48 5/8"
<input type="checkbox"/> 60"	59 3/4"	60 5/8"
<input type="checkbox"/> 600mm	594mm	616mm
<input type="checkbox"/> 900mm	894mm	916mm
<input type="checkbox"/> 1200mm	1194mm	1216mm
<input type="checkbox"/> 1500mm	1494mm	1516mm

### PLENUM HEIGHT

- STANDARD PLENUM HEIGHT  
H = 13" (330mm)
- LP - LOW PROFILE PLENUM HEIGHT (N/A WITH TOP INLET)  
H = 10" (254mm)

### FINISH:

- B12 - WHITE  
(OPTIONAL FINISHES AVAILABLE)

NOTE - METRIC DIMENSIONS HAVE BEEN ROUNDED TO THE NEAREST MILLIMETER

PROJECT:

SUBMITTAL NO: **268763**

ENGINEER:

REV 0

CUSTOMER:

TL  
**ACUTHERM**  
LINEAR VAV DIFFUSER

SUBMITTAL DATE:

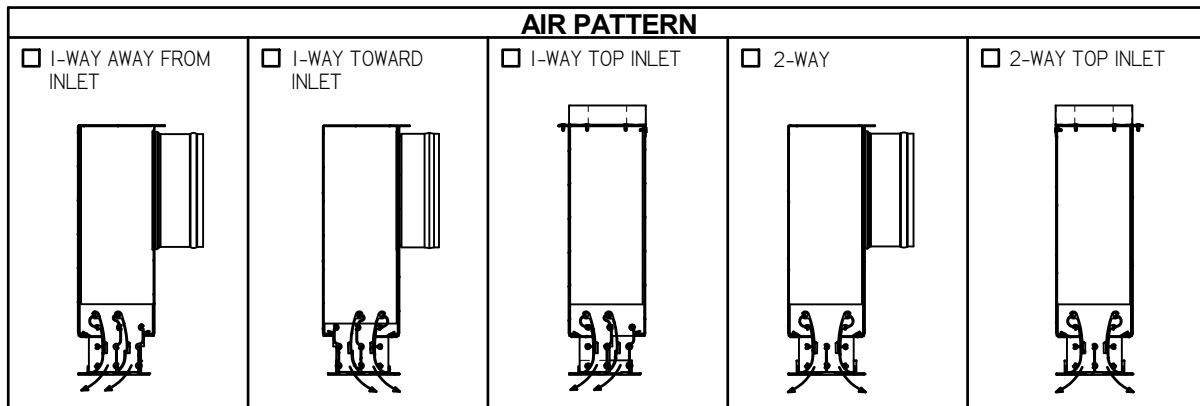
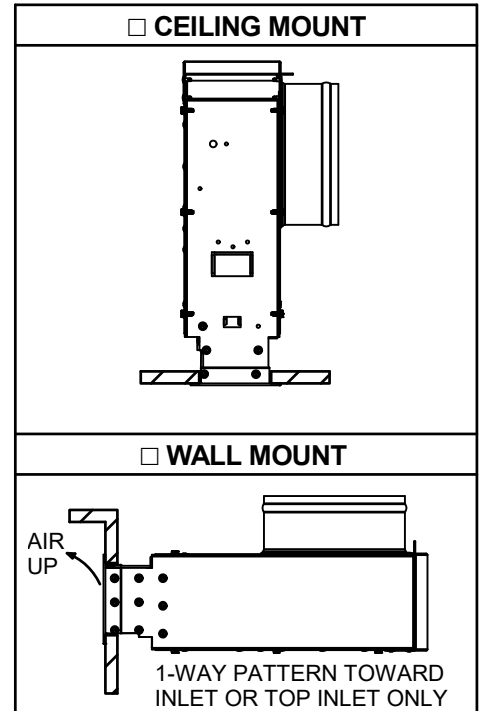
2017/08/24

© Copyright 2017

SHEET 1 OF 3

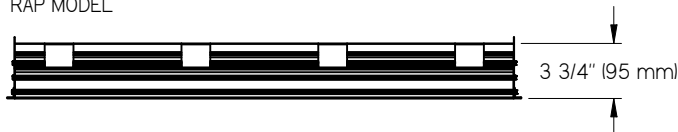
## TL - Therma-Fuser™ VAV DIFFUSER Thermal Linear Slot Diffuser With Blade Dampers

INLET SIZES:		Standard Plenum - Side Inlet	Low Profile Plenum - Side Inlet	Top Inlet
24" / 600mm	1 & 2 Slot	6" (152mm)	6" (152mm)	4" x 8" (102mm x 203mm)
	4 Slot	8" (203mm)	6 3/8" x 8 3/4" (8" equivalent)	6" x 10" (152mm x 254mm)
36" / 900mm	1 & 2 Slot	6" (152mm)	6" (152mm)	4" x 8" (102mm x 203mm)
	4 Slot	8" (203mm)	6 3/8" x 11 7/8" (10" equivalent)	6" x 10" (152mm x 254mm)
48" / 1200mm	1 & 2 Slot	8" (203mm)	6 3/8" x 11.890" (10" equivalent)	4" x 16" (102mm x 406mm)
	4 Slot	10" (254mm)	6 3/8" x 15 1/32" (12" equivalent)	6" x 18" (152mm x 457mm)
60" / 1500mm	1 & 2 Slot	8" (203mm)	6 3/8" x 11 7/8" (10" equivalent)	4" x 16" (102mm x 406mm)
	4 Slot	9 7/8" x 12 3/4" (12" equivalent)	6 3/8" x 18 3/16" (14" equivalent)	6" x 18" (152mm x 457mm)



### MATCHING RETURN:

RAP MODEL



### OPTIONAL INSULATION:

- FF - FIBER FREE FOAM INSULATED PLENUM INTERIOR

### OPTIONAL REMOTE ADJUST:

- DAM - DIGITAL WALL ADJUSTER, MASTER UNIT, INCLUDES ADJUSTER AND 35 FT. (10.7m) CABLE
- CPL - COVERPLATE TO INSTALL DAM WALL ADJUSTER IN STANDARD 2"x4" (51mm x 102mm) ELECTRICAL BOX
- WAM - WIRELESS WALL ADJUSTER, MASTER UNIT
- DA - SECONDARY UNIT, RESPONDS TO SIGNAL FROM DAM OR WAM MASTER UNITS
- DAM AND WAM REQUIRE 24VAC POWER INPUT

NOTE - METRIC DIMENSIONS HAVE BEEN ROUNDED TO THE NEAREST MILLIMETER

PROJECT:

ENGINEER:

CUSTOMER:

SUBMITTAL DATE:

SUBMITTAL NO: **268763**

REV 0

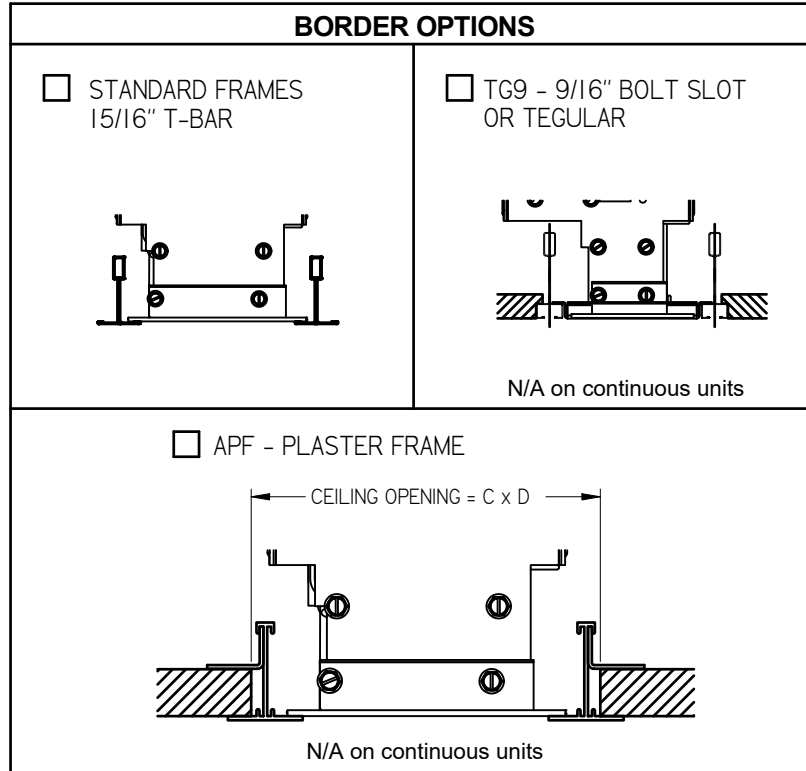
TL  
**ACUTHERM**  
LINEAR VAV DIFFUSER

2017/08/24

© Copyright 2017

SHEET 2 OF 3

## TL - Therma-Fuser™ VAV DIFFUSER Thermal Linear Slot Diffuser With Blade Dampers



**Opening Dimensions for Optional APF Plaster Frame:**

	C	Nom. Length	D
<b>1 Slot, 1 Way</b>	3 1/4"	24"	24 7/16"
	83mm	36"	36 7/16"
<b>2 Slot, 1 Way</b>	4 7/16"	48"	48 7/16"
	113mm	60"	60 7/16"
<b>2 Slot, 2 Way</b>	4 11/16"	600mm	611mm
	119mm	900mm	911mm
	6 11/16"	1200mm	1211mm
<b>4 Slot, 1 Way</b>	170mm	1500mm	1511mm
	7 1/16"		
<b>4 Slot, 2 Way</b>	179mm		

NOTE - METRIC DIMENSIONS HAVE BEEN ROUNDED TO THE NEAREST MILLIMETER

PROJECT:

SUBMITTAL NO: **268763**

ENGINEER:

REV 0

CUSTOMER:

TL  
**ACUTHERM**  
**LINEAR VAV DIFFUSER**

SUBMITTAL DATE:

2017/08/24

© Copyright 2017

SHEET 3 OF 3