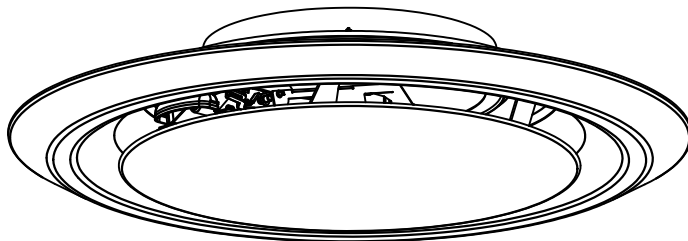
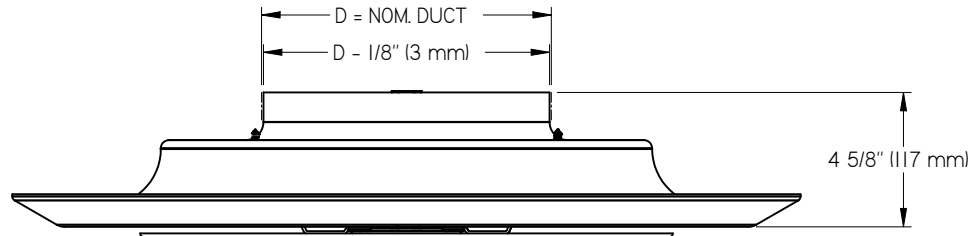


STR - Therma-Fuser™ VAV DIFFUSER Thermal 24" / 600mm Round Plaque Diffuser With Disc Damper



NOMINAL DIAMETER:

- 24"
- 600mm

NOMINAL DUCT SIZE:

- 6" (152mm)
- 10" (254mm)
- 8" (203mm)
- 12" (305mm)

STANDARD CONSTRUCTION:

- STEEL CONSTRUCTION

OPERATION:

- HC - VAV HEATING AND COOLING
- C - VAV COOLING ONLY
- RA - MATCHING RETURN

FINISH:

- B12 - WHITE
- (OPTIONAL FINISHES AVAILABLE)

NOTES:

- FACTORY TOLERANCE $\pm 1/16"$ (2mm)

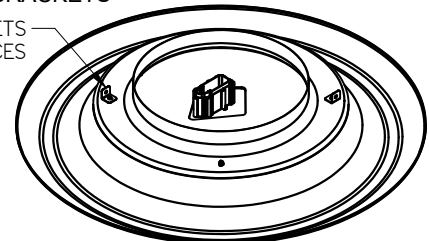
OPTIONAL REMOTE ADJUST:

- DAM - DIGITAL WALL ADJUSTER, MASTER UNIT, INCLUDES ADJUSTER AND 35 FT. (10.7m) CABLE
- CPL - COVERPLATE TO INSTALL DAM WALL ADJUSTER IN STANDARD 2"x4" (51mm x 102mm) ELECTRICAL BOX
- WAM - WIRELESS WALL ADJUSTER, MASTER UNIT
- DA - SECONDARY UNIT, RESPONDS TO SIGNAL FROM DAM OR WAM MASTER UNITS
- DAM AND WAM REQUIRE 24VAC POWER INPUT

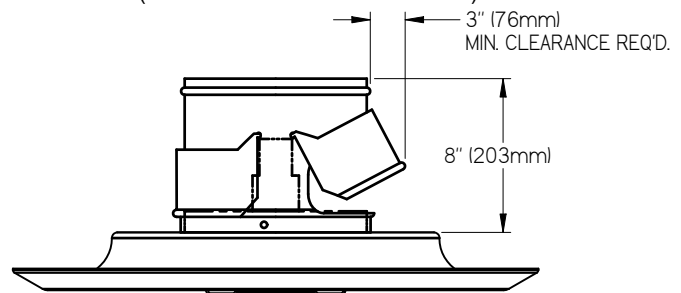
OPTIONS:

- HB - HANGER BRACKETS

HANGER BRACKETS
2 PLACES



- ARC - PRESSURE RELIEF COLLAR (SHIPPED LOOSE)
(ALSO SEE SUBMITTAL 268238)



NOTE - METRIC DIMENSIONS HAVE BEEN ROUNDED TO THE NEAREST MILLIMETER

PROJECT:

ENGINEER:

CUSTOMER:

SUBMITTAL DATE:

SUBMITTAL NO: **268794**

REV 0

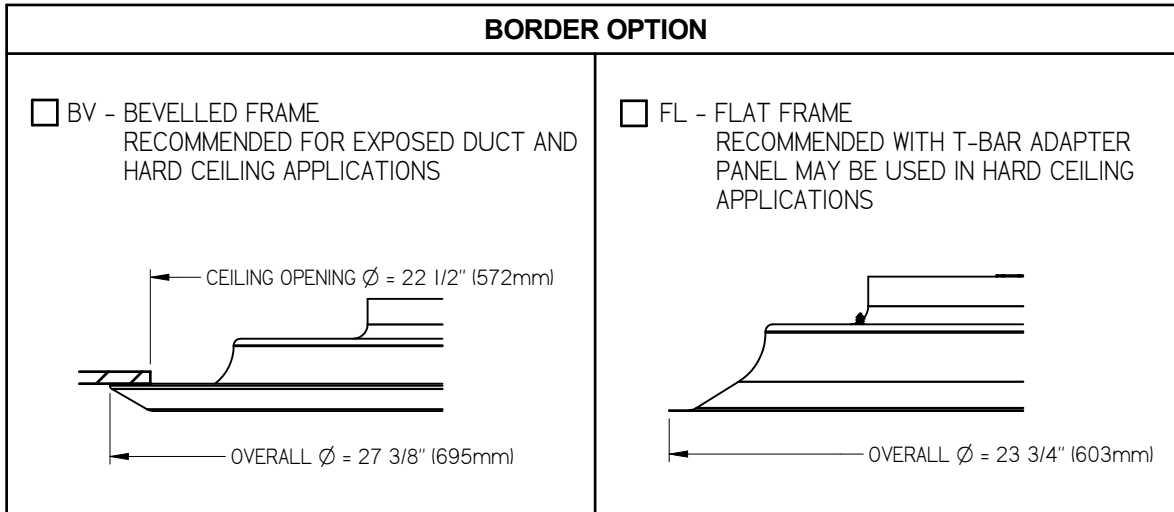
STR
VAV DIFFUSER
W/ DISC DAMPER

2017/08/24

© Copyright 2017

SHEET 1 OF 2

STR - Therma-Fuser™ VAV DIFFUSER Thermal 24" / 600mm Round Plaque Diffuser With Disc Damper



NOTE - METRIC DIMENSIONS HAVE BEEN ROUNDED TO THE NEAREST MILLIMETER

PROJECT:

SUBMITTAL NO: **268794**

STR

ENGINEER:

REV 0

**VAV DIFFUSER
W/ DISC DAMPER**

CUSTOMER:

SUBMITTAL DATE:

2017/08/24

© Copyright 2017

SHEET 2 OF 2