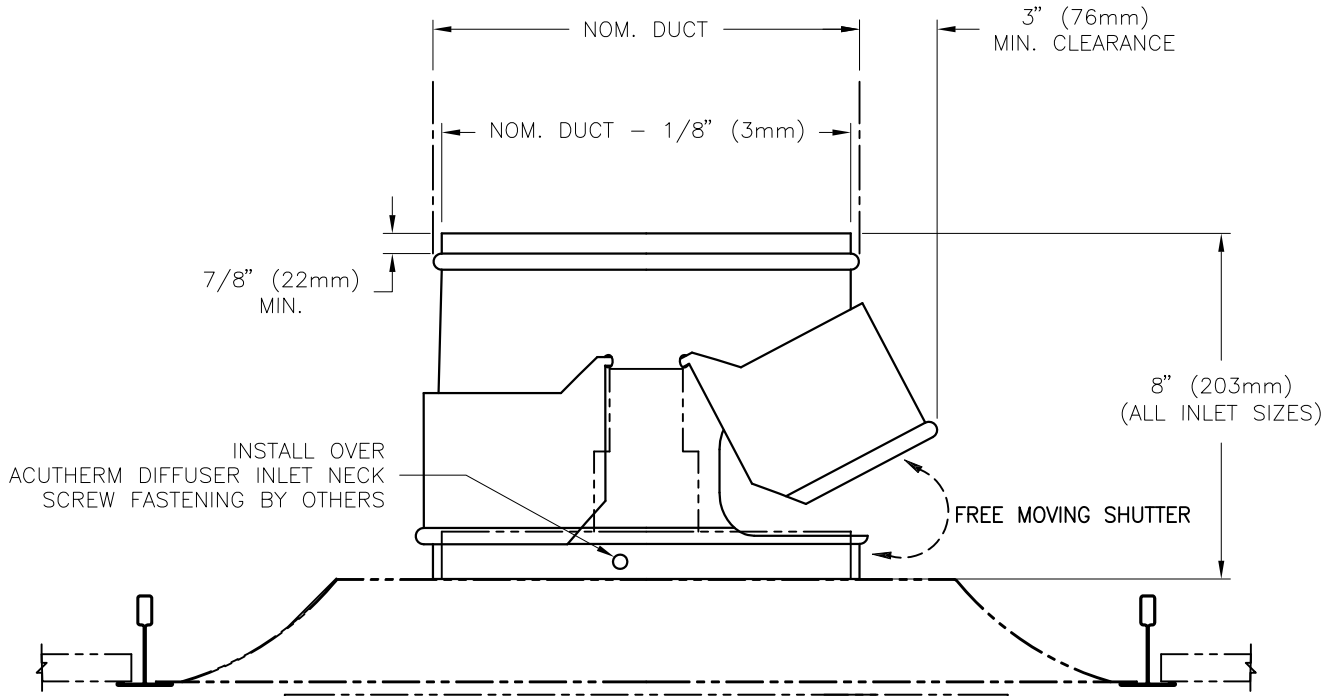


## ARC - ACUTHERM PRESSURE RELIEF COLLAR



TYPICAL INSTALLATION WITH ACUTHERM DIFFUSER (ORDERED / SHIPPED SEPARATELY)

### MATERIAL:

- GALVANIZED STEEL CONSTRUCTION

### NOTES:

- UNIT IS SHIPPED WITH SHUTTERS TAPED SHUT. REMOVE TAPE AFTER SYSTEM IS BALANCED FOR MAXIMUM FLOW.
- ARC IS A STATIC PRESSURE RELIEF DEVICE TO BE USED ONLY IN CEILINGS WITH AN OPEN (NON-DUCTED) RETURN AIR PLENUM.

NOMINAL DUCT	
<input type="checkbox"/>	6" (102mm)
<input type="checkbox"/>	8" (203mm)
<input type="checkbox"/>	10" (254mm)
<input type="checkbox"/>	12" (305mm)
<input type="checkbox"/>	14" (356mm)

NOTE - METRIC DIMENSIONS HAVE BEEN ROUNDED TO THE NEAREST MILLIMETER

**PROJECT:**

**SUBMITTAL NO:** 268238

**ENGINEER:**

2017/04/11

**CUSTOMER:**

**ARC**

PRESSURE RELIEF COLLAR  
FOR ACUTHERM  
VAV DIFFUSERS

**SUBMITTAL DATE:**