

THERMA-FUSER™

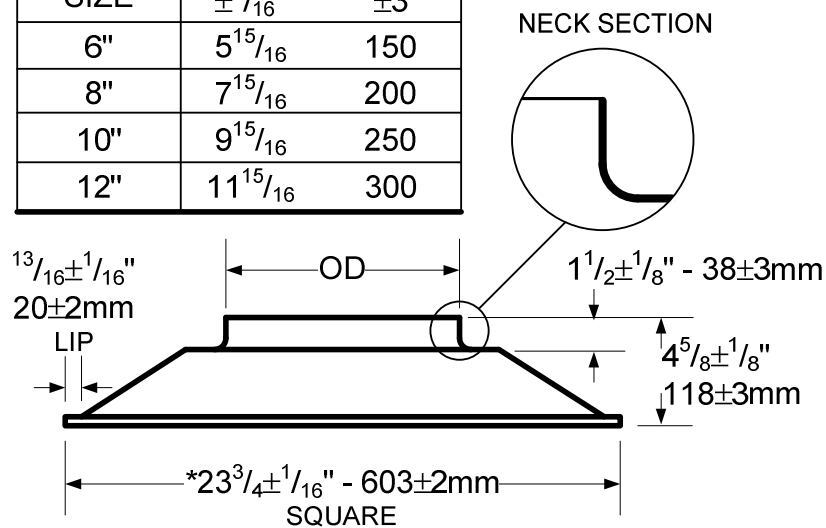
THERMALLY POWERED VAV DIFFUSER

DIMENSIONS



- Models: TF-C VAV cooling only.
 TF-CW VAV cooling with warm up heating.
 TF-HC VAV cooling and VAV heating.
 TF-D Manually adjustable blades.
 TF-RA Return air.

NOMINAL NECK SIZE	OD	
	Inches $\pm 1/16"$	mm ± 3
6"	$5^{15}/16$	150
8"	$7^{15}/16$	200
10"	$9^{15}/16$	250
12"	$11^{15}/16$	300



*595±2mm Square with 16±2mm lip available
 -specify 595mm square.