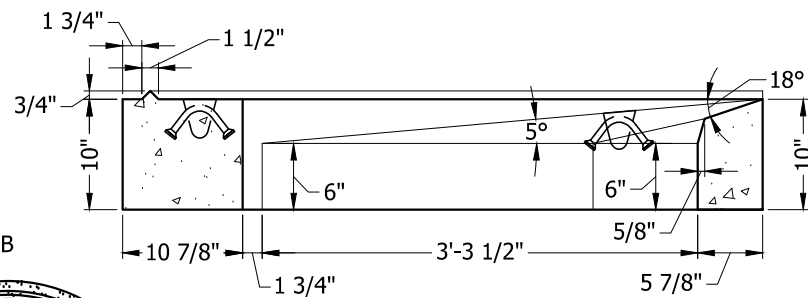
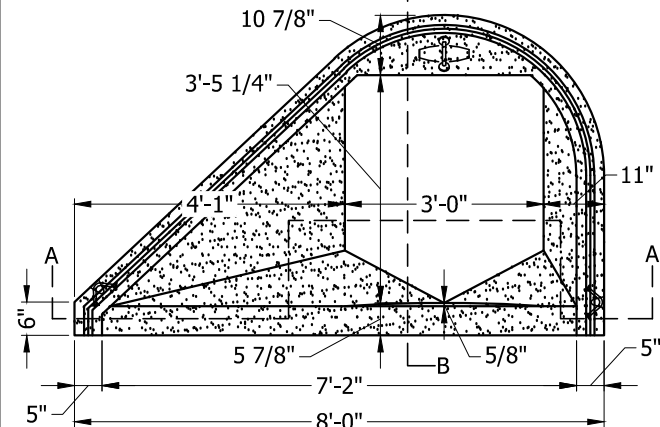


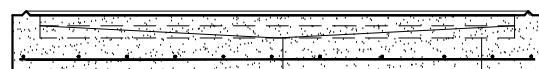
SECTION 'A'
SCALE: 3/4" = 1'-0"



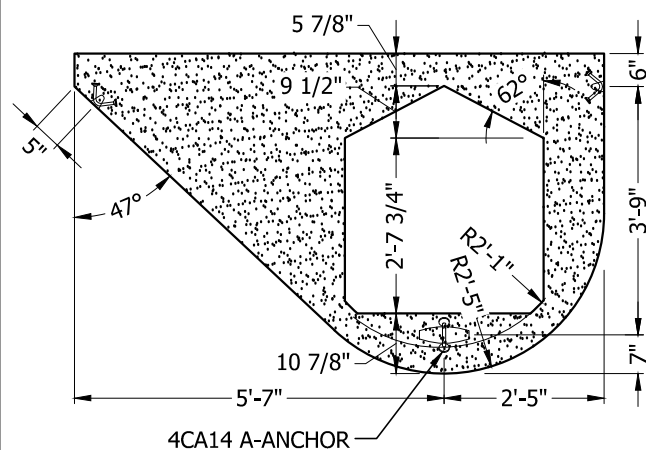
SECTION 'B'
SCALE: 3/4" = 1'-0"



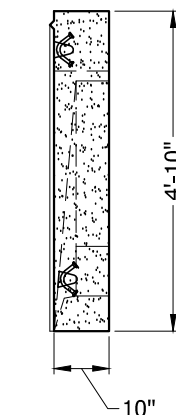
TOP VIEW (LOWER SECTION)



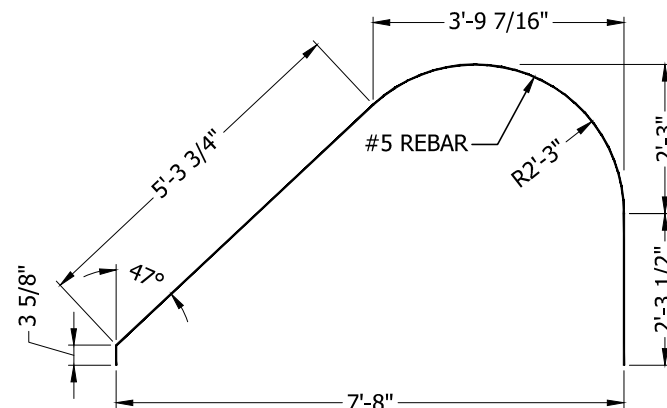
FRONT VIEW (LOWER SECTION)



BOTTOM VIEW (LOWER SECTION)



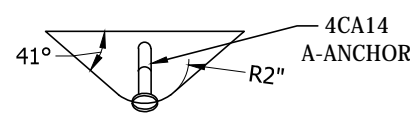
SIDE VIEW



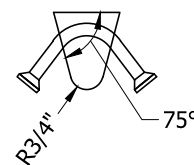
DETAIL R-501 REBAR

- GENERAL NOTES:**
1. ALL MANUFACTURING, TOLERANCES, & REPAIRS TO BE IN ACCORDANCE WITH ASTM C913, CURRENT EDITION
 2. CONCRETE STRENGTH: f_c @ 28 Days = 5,000 psi
 3. ALL REBAR ARE #5 BARS UNLESS NOTED OTHERWISE.
 4. REINFORCING STEEL MEETS ASTM A-615, GRADE 60, WITH 1" MINIMUM CONCRETE COVER.

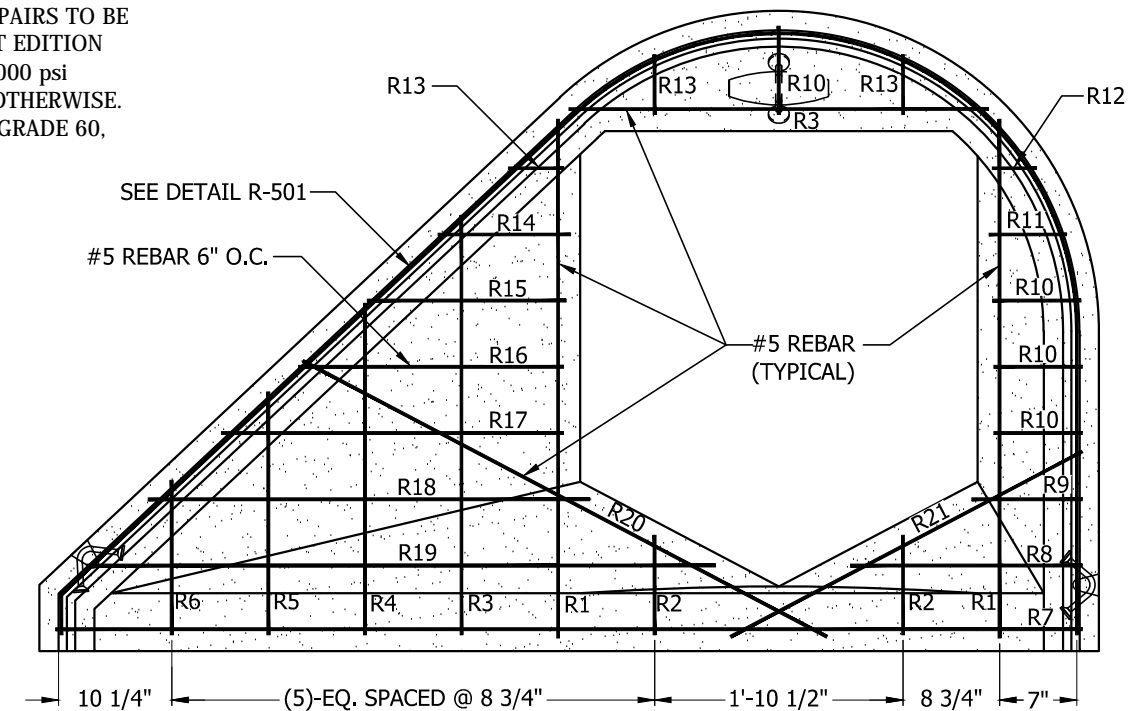
REINFORCING SCHEDULE		
MARK	QUANTITY	LENGTH (IN.)
R1	2	47
R2	2	9
R3	2	38
R4	1	30
R5	1	22
R6	1	14
R7	1	93
R8	1	21
R9	1	10
R10	3	8
R11	1	7
R12	1	4
R13	3	5
R14	1	12
R15	1	18
R16	1	24
R17	1	31
R18	1	40
R19	1	57
R20	1	53
R21	1	36
R501	1	SEE DETAIL



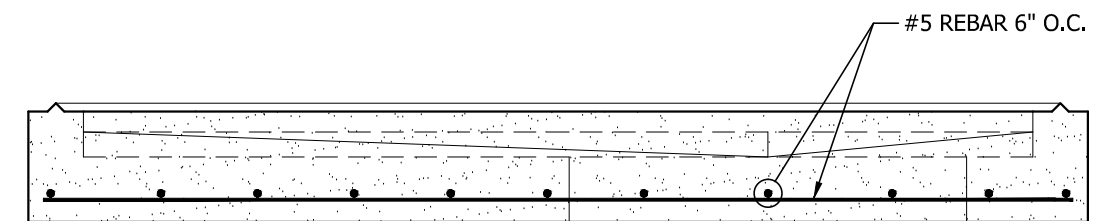
ENLARGED SIDE VIEW ANCHOR POCKET
SCALE: 1-1/2" = 1'-0"



ENLARGED FRONT VIEW ANCHOR POCKET
SCALE: 1-1/2" = 1'-0"



ENLARGED TOP VIEW LEFT REINFORCEMENT (LOWER SECTION)
SCALE: 3/4" = 1'-0"



ENLARGED FRONT VIEW LEFT REINFORCEMENT (LOWER SECTION)
SCALE: 3/4" = 1'-0"

CONCRETE VOLUME = 0.542 CU. YDS.
WEIGHT = 2195#

DRAWING TITLE:
CHATTANOOGA THROATED INLET
LEFT STAGE

VANHOSECO PRECAST, LLC
244 BLAIR BEND DRIVE
LOUDON, TN 37774
Tel: (865) 458-3998



Drawn By: TLH	Chkd. By: ART	Project Number: N/A
SHEET 2 OF 2	DATE: 08/02/16	Drawing Number: CTIL

NOTE:
ALL SCALES TO BE 3/8" = 1'-0"
UNLESS OTHERWISE NOTED.