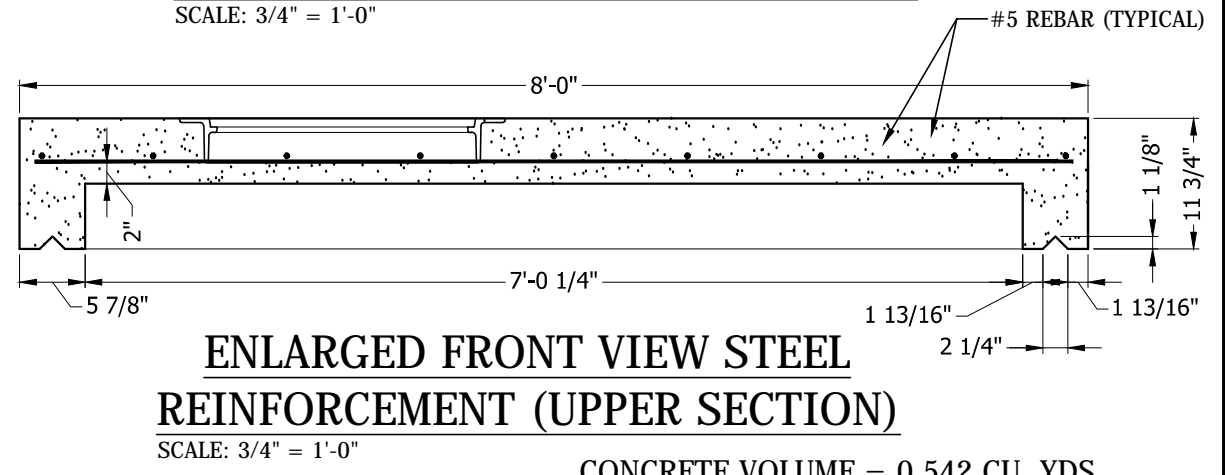
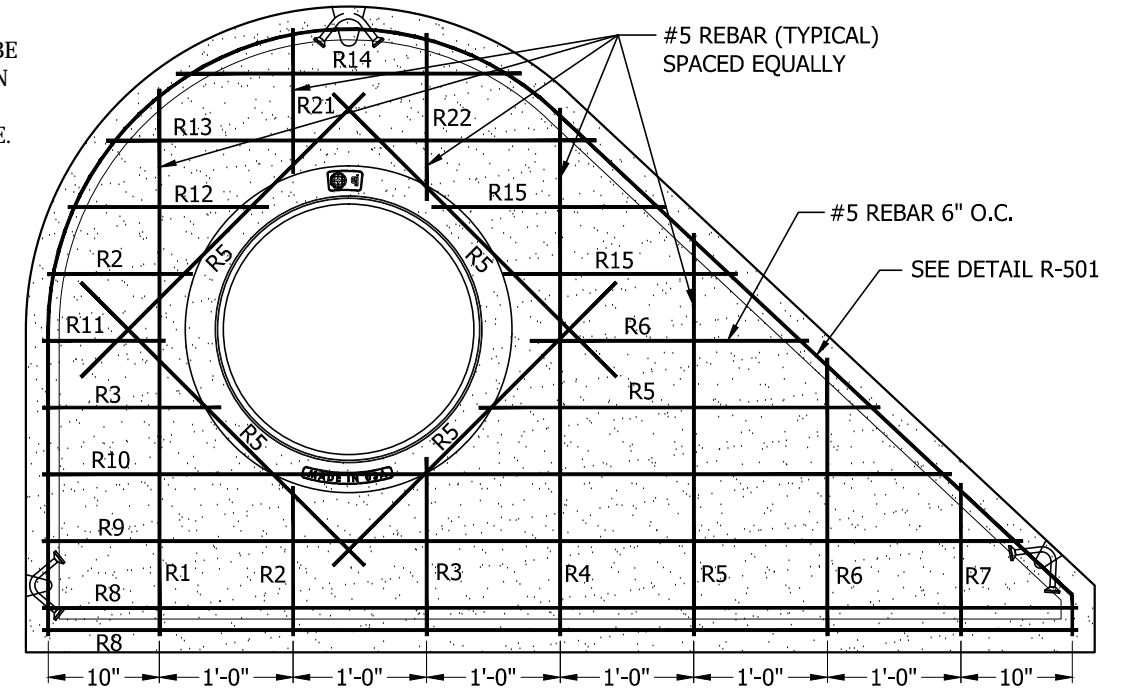
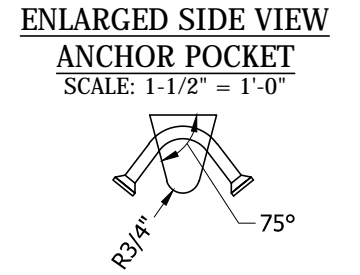
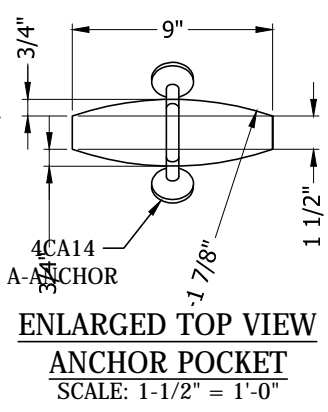
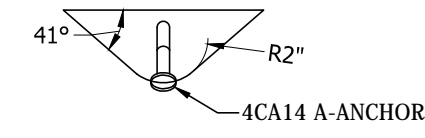


- GENERAL NOTES:**
1. ALL MANUFACTURING, TOLERANCES, & REPAIRS TO BE IN ACCORDANCE WITH ASTM C913, CURRENT EDITION
  2. CONCRETE STRENGTH:  $f_c$  @ 28 Days = 5,000 psi
  3. ALL REBAR ARE #5 BARS UNLESS NOTED OTHERWISE.
  4. REINFORCING STEEL MEETS ASTM A-615, GRADE 60, WITH 1" MINIMUM CONCRETE COVER.

REINFORCING SCHEDULE		
MARK	QUANTITY	LENGTH (IN.)
R1	1	49
R2	2	13
R3	2	16
R4	1	48
R5	6	36
R6	2	25
R7	1	14
R8	2	93
R9	1	88
R10	1	82
R11	1	11
R12	1	18
R13	1	44
R14	1	31
R15	2	21
R501	1	SEE DETAIL



CONCRETE VOLUME = 0.542 CU. YDS.  
WEIGHT = 2195#



**NOTE:**  
ALL SCALES TO BE 3/8" = 1'-0" UNLESS OTHERWISE NOTED.

DRAWING TITLE:  
**CHATTANOOGA THROATED INLET  
RIGHT STAGE**

**VANHOUSECO PRECAST, LLC**  
244 BLAIR BEND DRIVE  
LOUDON, TN 37774  
Tel: (865) 458-3998

**NPCC**  
CERTIFIED PLANT

**VANHOUSECO**

Drawn By: TLH	Chkd. By: ART	Project Number: N/A
SHEET 1 OF 2	DATE: 08/02/16	Drawing Number: CTR