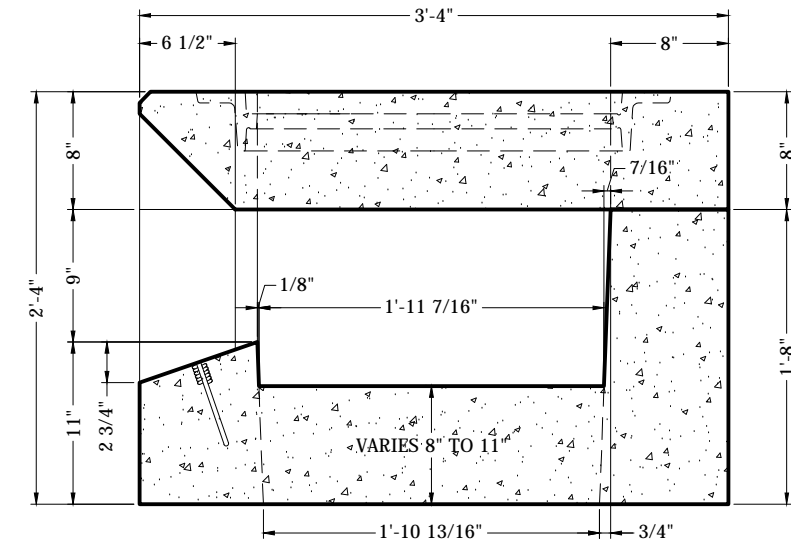
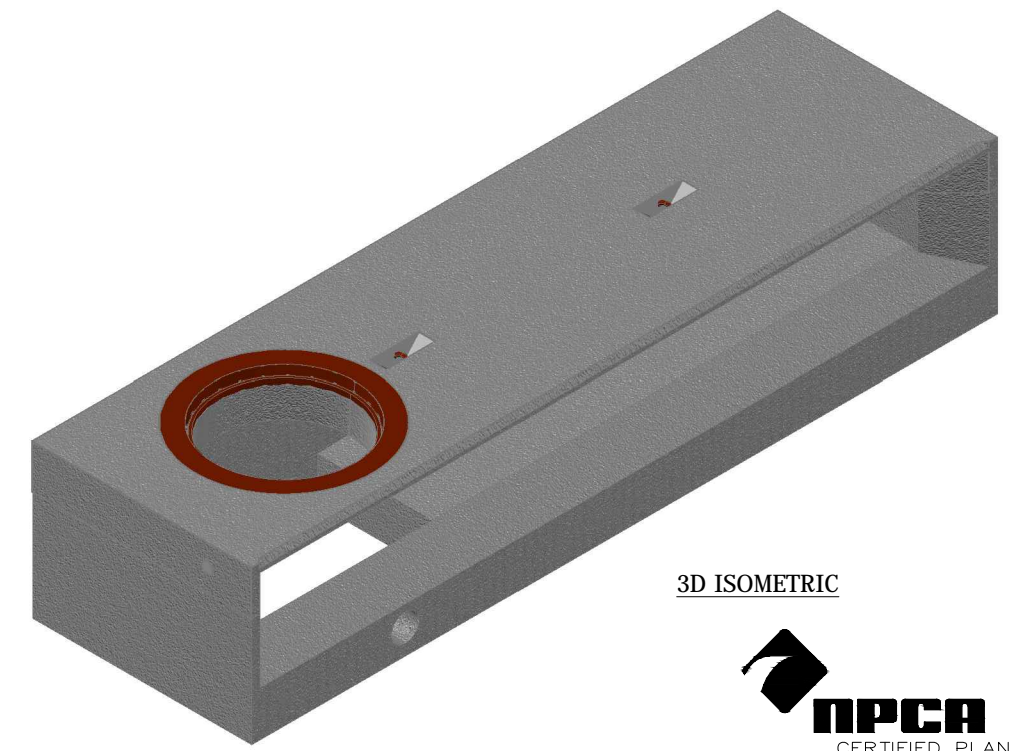


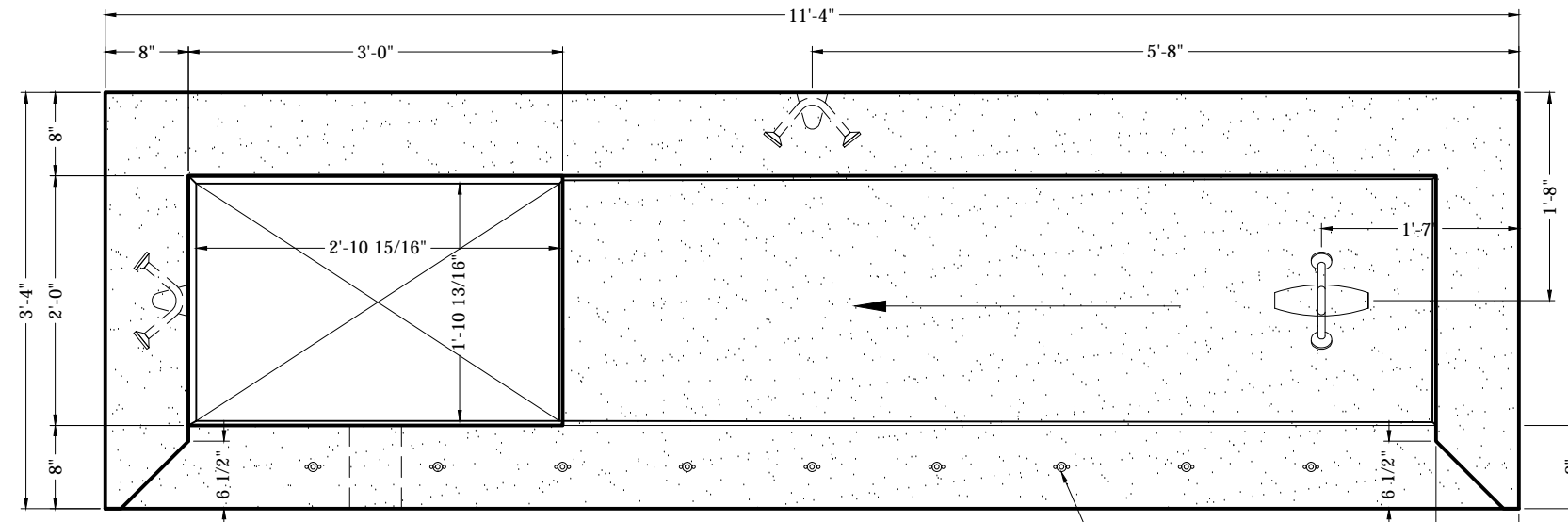
PLAN OF TOP STAGE



SECTION

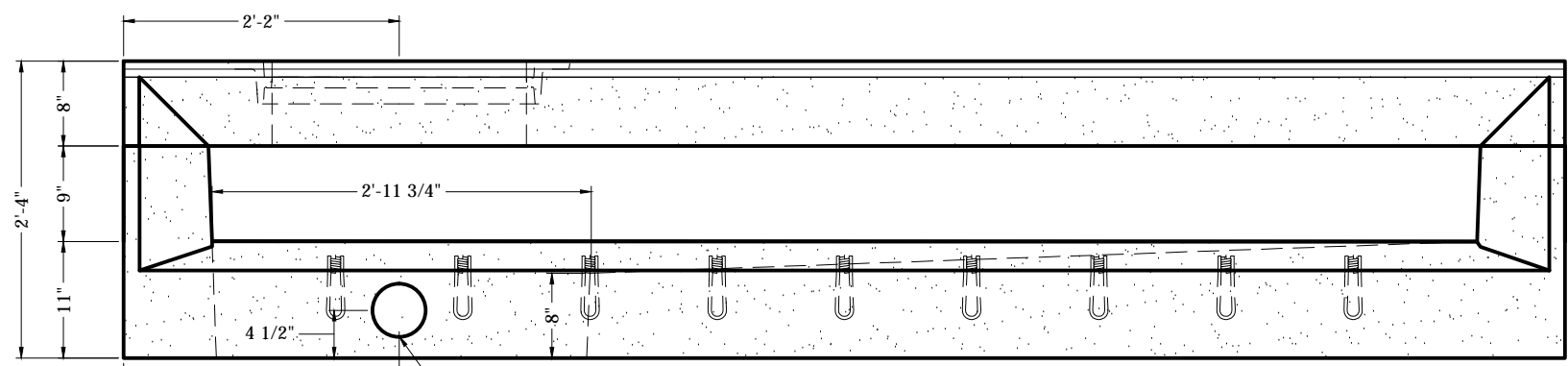


3D ISOMETRIC



PLAN OF BOTTOM STAGE

3/4"φx6" COIL INSERTS @ 12" O.C.



ELEVATION

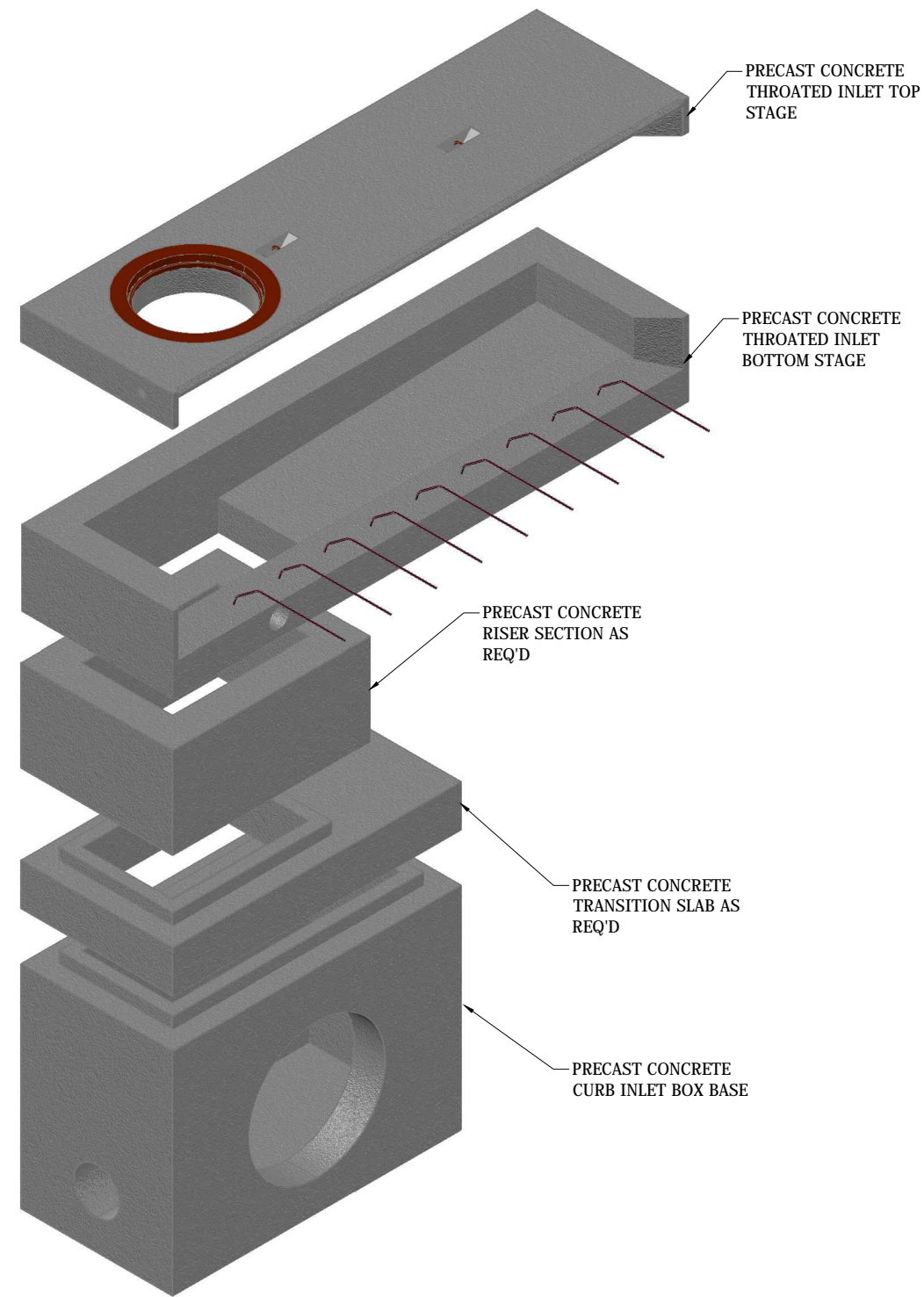
Drawing Title:
KENTUCKY CURB BOX INLET TYPE "A"
 (LEFT PHASE)

VANHOSECO PRECAST, LLC
 244 BLAIR BEND DRIVE
 LOUDON, TN 37774
 Tel: (865) 458-3998

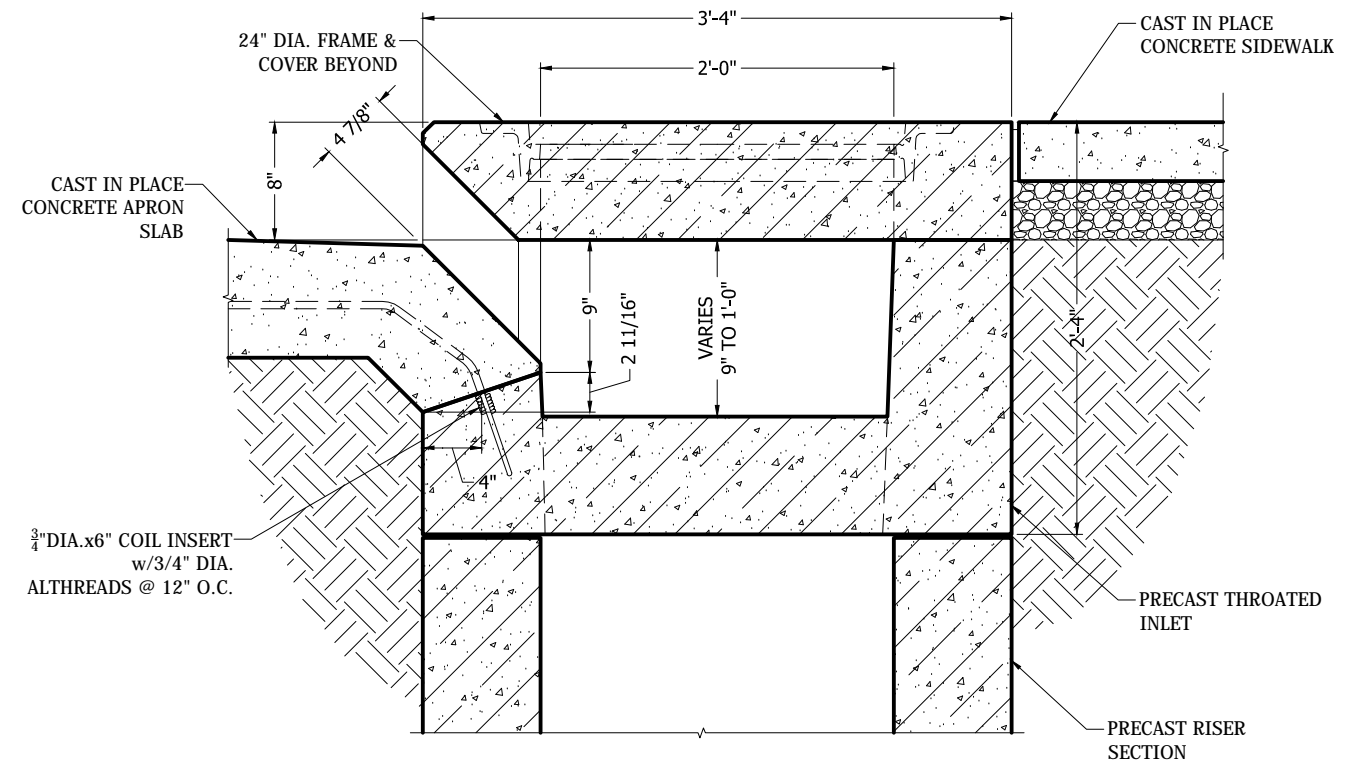


REV.	DATE	DESCRIPTION
1	8/1/16	CHANGED LIFTING DEVICES IN TOP SECTION

Drawn By: ART	Checked By: ART	Project Number: ---
SHEET 1 OF 4	DATE: 05/23/16	Drawing Number: KY-TI-01



3D ISOMETRIC



SECTION @ CURB INLET



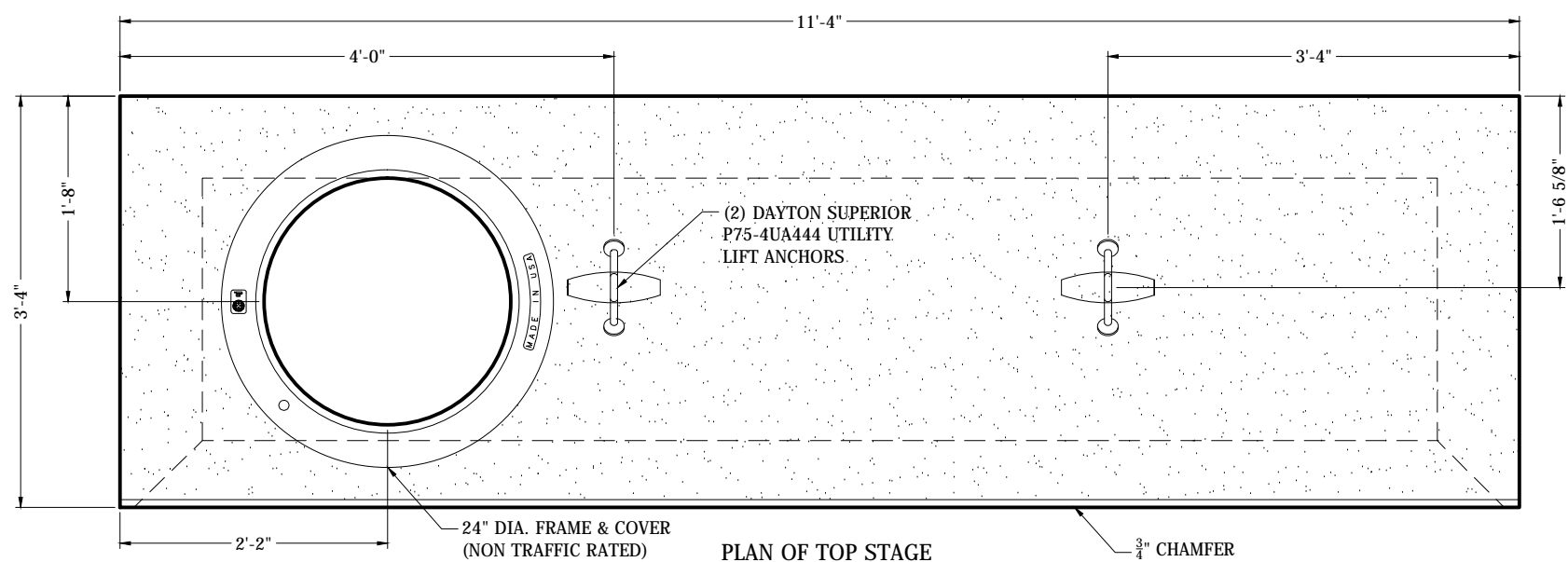
Drawing Title:
KENTUCKY CURB BOX INLET TYPE "A"
 (LEFT PHASE)

VANHOSECO PRECAST, LLC
 244 BLAIR BEND DRIVE
 LOUDON, TN 37774
 Tel: (865) 458-3998



REV.	DATE	DESCRIPTION
1	8/1/16	CHANGED LIFTING DEVICES IN TOP SECTION

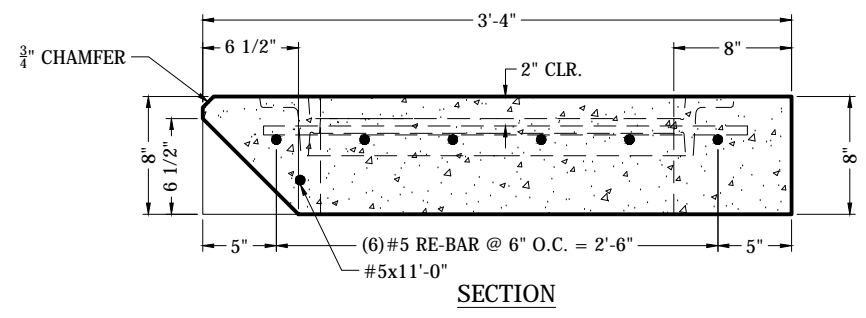
Drawn By: ART	Checked By: ART	Project Number: ---
SHEET 2 OF 4	DATE: 05/23/16	Drawing Number: KY-TI-01



PLAN OF TOP STAGE

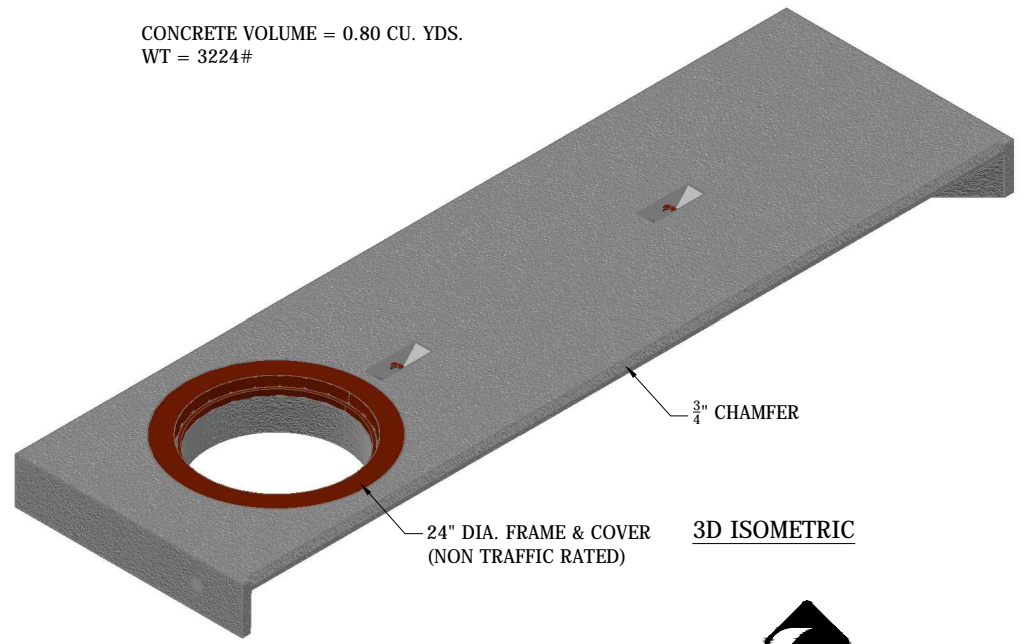
NOTE: PLASTIC LIFTING RECESS
PLUG MUST BE REMOVED & RECESS
FILLED WITH GROUT AFTER
SETTING (NOT BY VANHOUSECO)

- NOTES:
1. Design is in accordance with ASTM C913, latest edition.
 2. Design Live Load = 300 PSF.
 3. All reinforcing steel to be ASTM A615, Grade 60.
 4. All concrete to be $f_c = 5000$ psi @ 28 days.

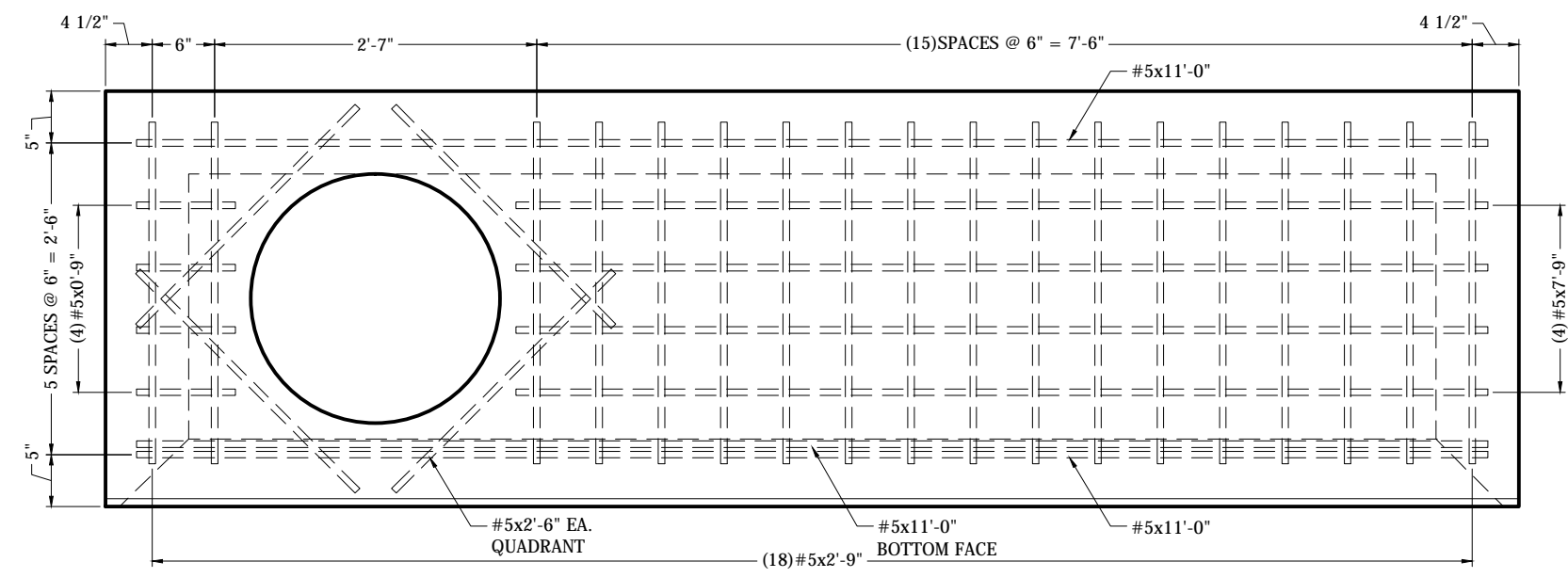


SECTION

CONCRETE VOLUME = 0.80 CU. YDS.
WT = 3224#

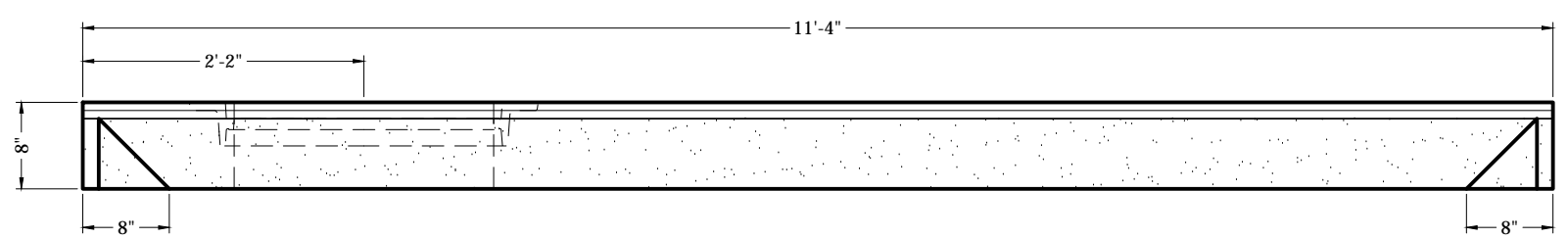


3D ISOMETRIC



REINFORCING PLAN

REINFORCING SCHEDULE		
SIZE	QUANTITY	LENGTH (IN.)
#5	3	11'-0"
#5	4	7'-9"
#5	18	2'-9"
#5	4	2'-6"
#5	4	0'-9"



ELEVATION



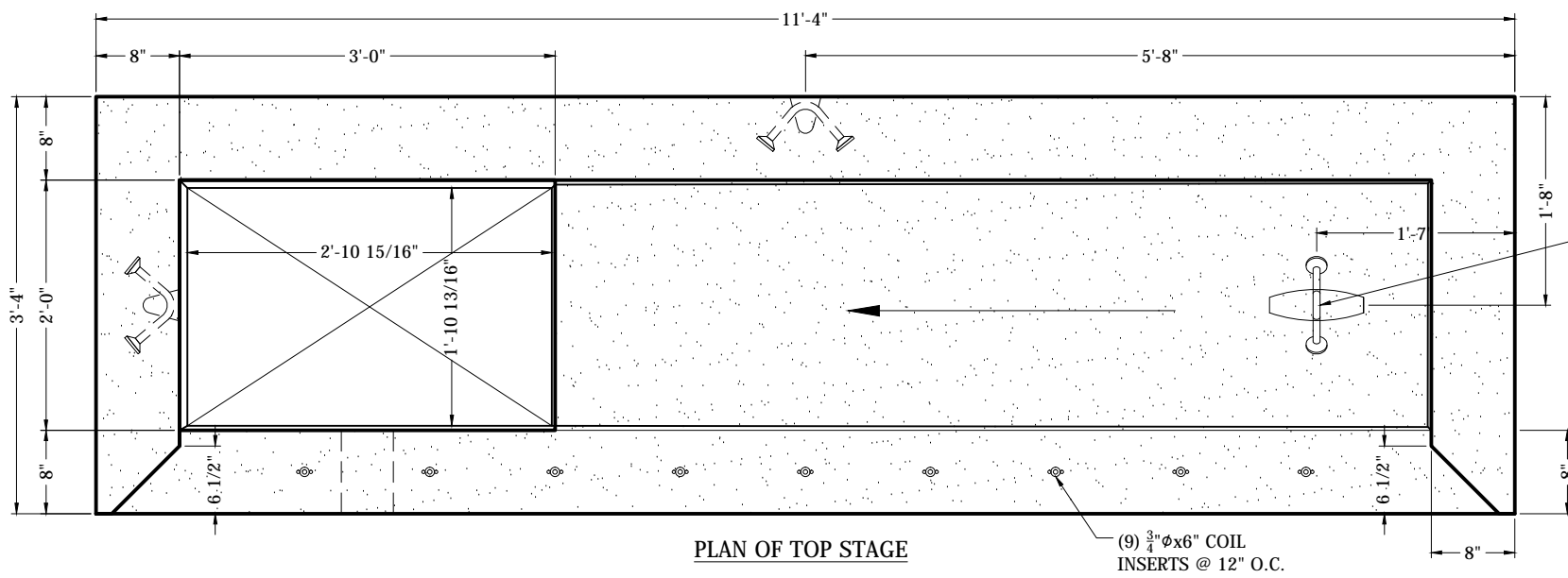
Drawing Title:
**KENTUCKY CURB BOX INLET TYPE "A"
(LEFT PHASE)**

VANHOUSECO PRECAST, LLC
244 BLAIR BEND DRIVE
LOUDON, TN 37774
Tel: (865) 458-3998



REV.	DATE	DESCRIPTION
1	8/1/16	CHANGED LIFTING DEVICES

Drawn By: ART	Checked By: ART	Project Number: ---
SHEET 3 OF 4	DATE: 05/23/16	Drawing Number: KY-TI-01

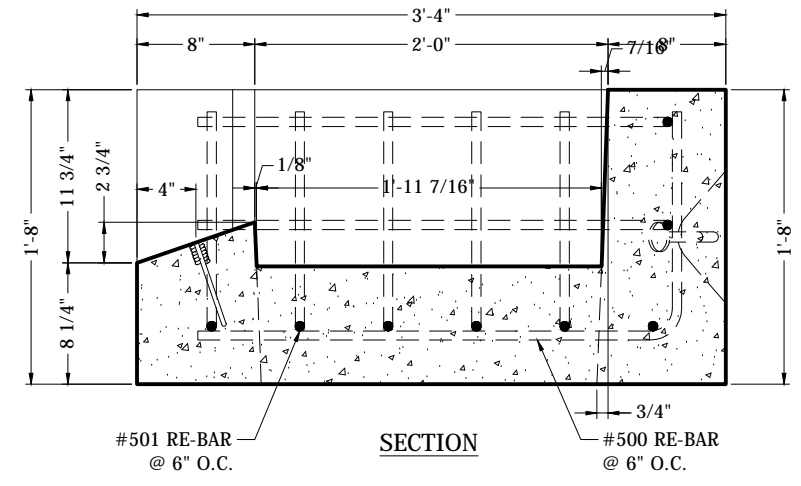


PLAN OF TOP STAGE

- NOTES:
1. Design is in accordance with ASTM C913, latest edition.
 2. Design Live Load = 300 PSF.
 3. All reinforcing steel to be ASTM A615, Grade 60.
 4. All concrete to be $f_c = 5000$ psi @ 28 days.

(3) DAYTON SUPERIOR P75-4UA444 UTILITY LIFT ANCHORS

NOTE: STRIP w/ (4) WRA-016 WIRE ROPE ANCHORS

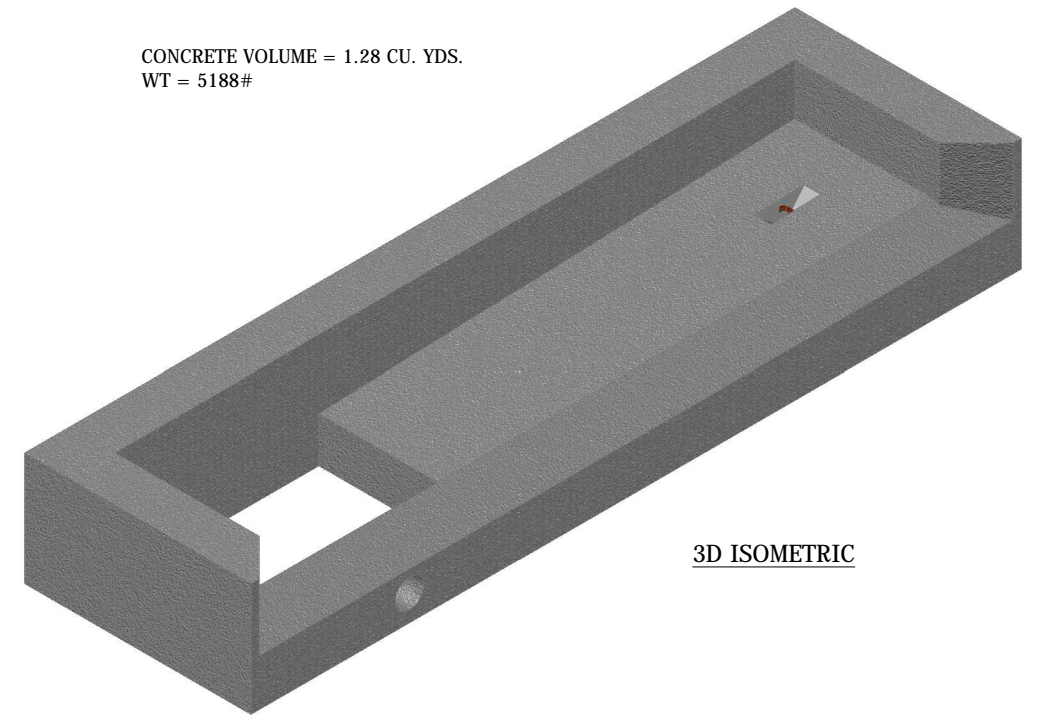


#501 RE-BAR @ 6" O.C.

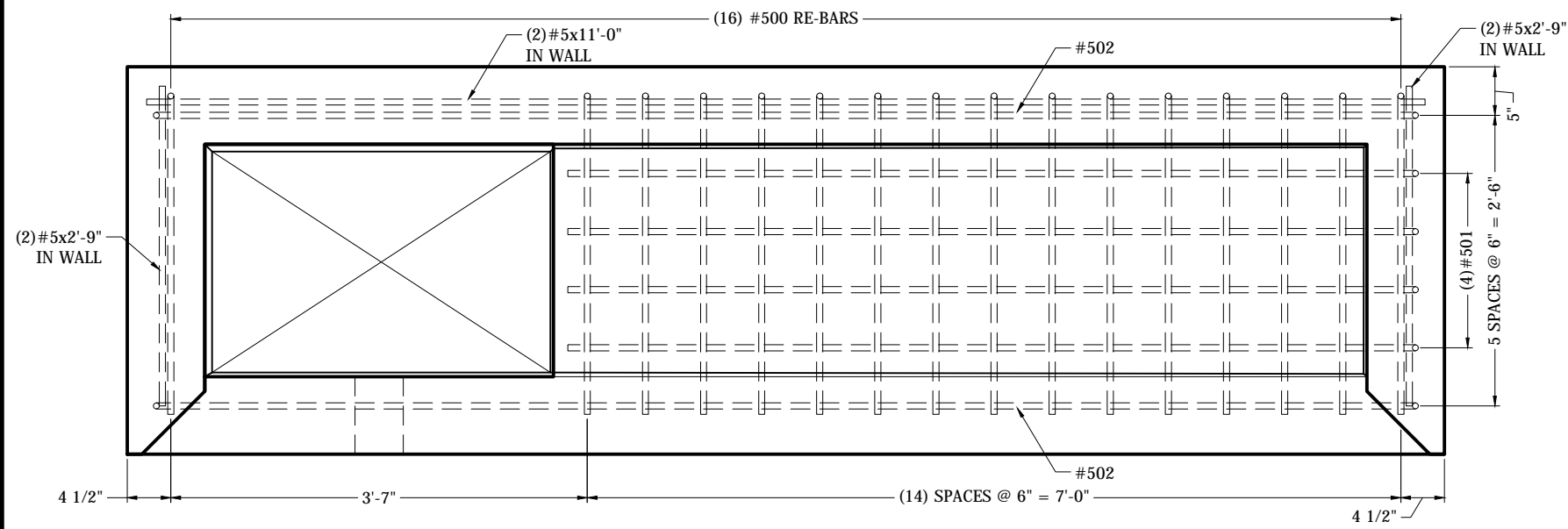
SECTION

#500 RE-BAR @ 6" O.C.

CONCRETE VOLUME = 1.28 CU. YDS.
WT = 5188#

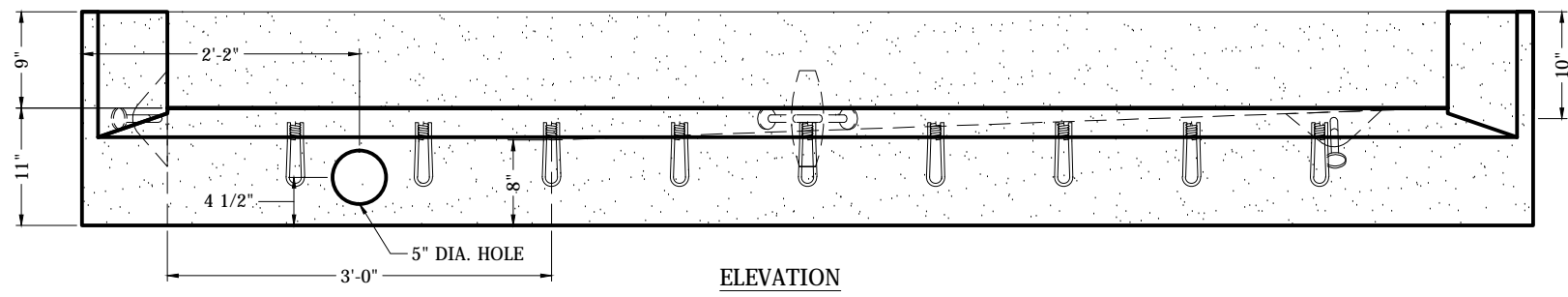


3D ISOMETRIC



REINFORCING PLAN

REINFORCING SCHEDULE		
SIZE	QUANTITY	LENGTH (IN.)
#5	16	#500
#5	4	#501
#5	2	#502
#5	2	11'-0"
#5	4	2'-9"



ELEVATION



Drawing Title:

KENTUCKY CURB BOX INLET TYPE "A"
(LEFT PHASE)

VANHOSECO PRECAST, LLC
244 BLAIR BEND DRIVE
LOUDON, TN 37774
Tel: (865) 458-3998



Drawn By: ART	Checked By: ART	Project Number: ---
SHEET 4 OF 4	DATE: 05/23/16	Drawing Number: KY-TI-01