

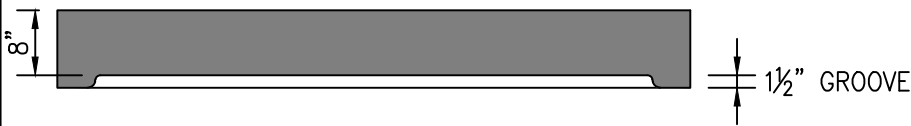
\*\*\* CUSTOM PRODUCT SIZES ARE AVAILABLE UPON REQUEST.  
PLEASE CALL (865) 458-3998 FOR A TECHNICAL SERVICE REPRESENTATIVE.

CONC. WEIGHT & VOL.	
WEIGHT (LBS)	VOLUME (CY)
3718	0.92

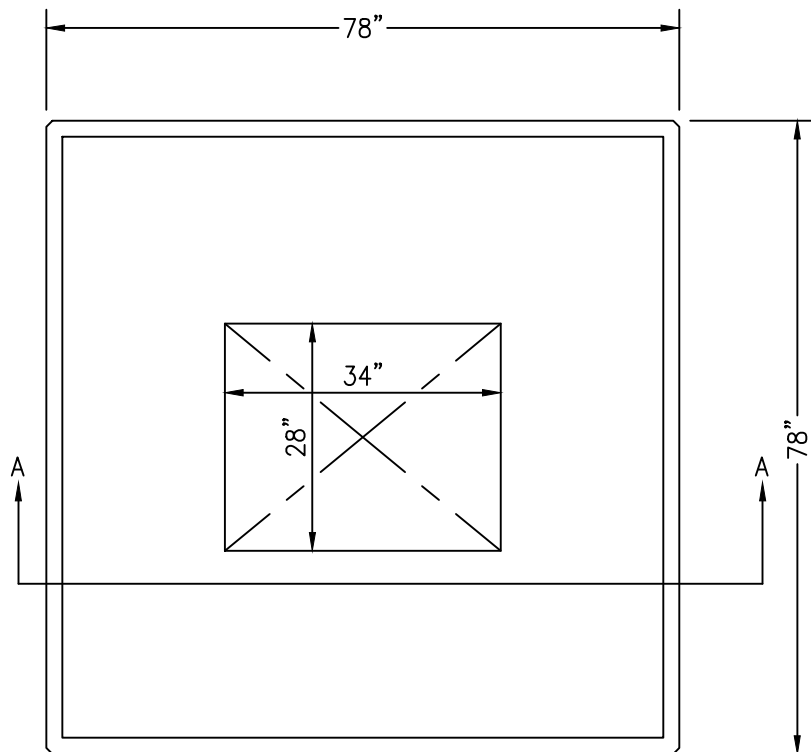
GENERAL NOTES:

1. ALL MATERIAL, DESIGN, MANUFACTURE, PHYSICAL TEST REQUIREMENTS, FINISH MARKING, INSPECTION, REJECTION AND REPAIRS TO MEET "SPECIFICATIONS FOR PRECAST - REINFORCED CONCRETE MANHOLE SECTIONS". PER ASTM C-478 (LATEST VERSION)

2. CONCRETE STRENGTH:  $f'c @ 28 \text{ Days} = 5,000 \text{ psi}$



SECTION A-A



PLAN VIEW



**NPCC**

CERTIFIED PLANT

**VANHOSECO PRECAST, LLC**

244 BLAIR BEND DRIVE  
LOUDON, TN 37774  
Tel: (865) 458-3998



**VANHOSECO**

62"x62" CATCH BASIN COVER

SCALE: 1/2" = 1'-0"

CB1-  
T1