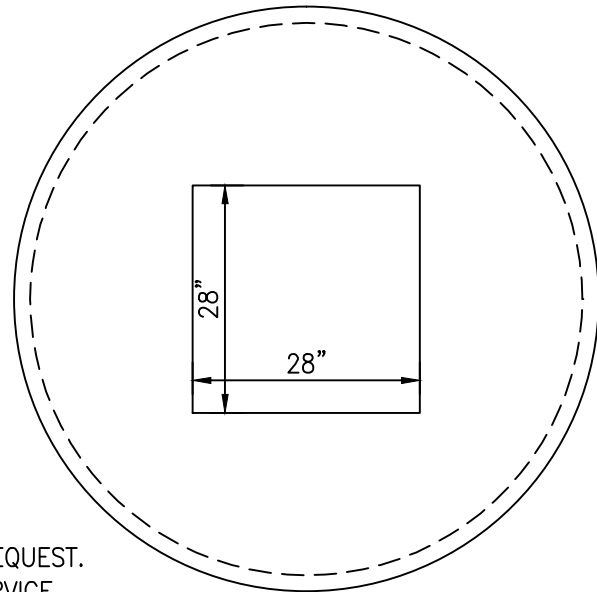
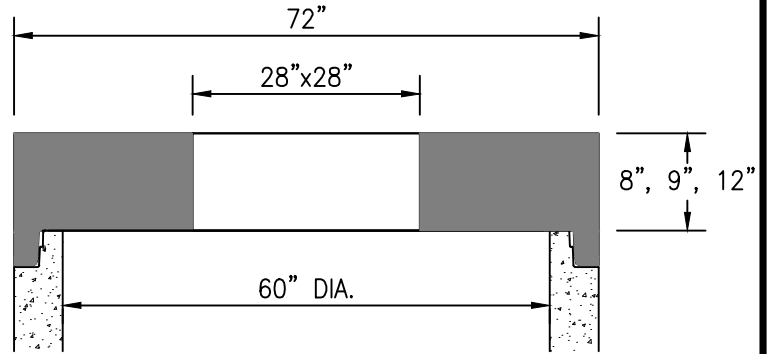
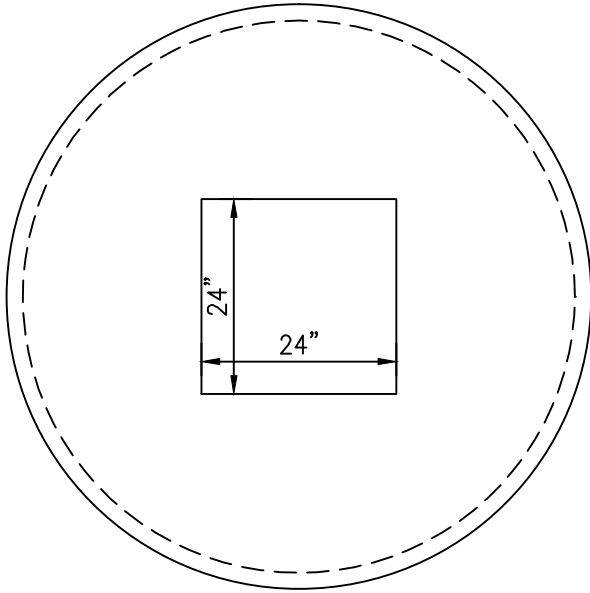


CONC. WEIGHT & VOL. (24"X24")		
DEPTH (IN.)	WEIGHT (LBS)	VOLUME (CY)
8	2620	0.65
9	2923	0.72
12	3832	0.95



CONC. WEIGHT & VOL. (28"X28")		
DEPTH (IN.)	WEIGHT (LBS)	VOLUME (CY)
8	2475	0.61
9	2761	0.68
12	3619	0.89

\*\*\* CUSTOM PRODUCT SIZES ARE AVAILABLE UPON REQUEST.  
PLEASE CALL (865) 458-3998 FOR A TECHNICAL SERVICE REPRESENTATIVE.

GENERAL NOTES:

1. ALL MATERIAL, DESIGN, MANUFACTURE, PHYSICAL TEST REQUIREMENTS, FINISH MARKING, INSPECTION, REJECTION AND REPAIRS TO MEET "SPECIFICATIONS FOR PRECAST - REINFORCED CONCRETE MANHOLE SECTIONS". PER ASTM C-478 (LATEST VERSION)

2. CONCRETE STRENGTH:  $f'_c$  @ 28 Days = 5,000 psi

**VANHOSECO PRECAST, LLC**

244 BLAIR BEND DRIVE  
LOUDON, TN 37774  
Tel: (865) 458-3998



60"Ø FLAT TOP WITH  
24"x24" & 28"x28"  
OPENINGS

SCALE: 1/2" = 1'-0"

FT24

VANHOSECO