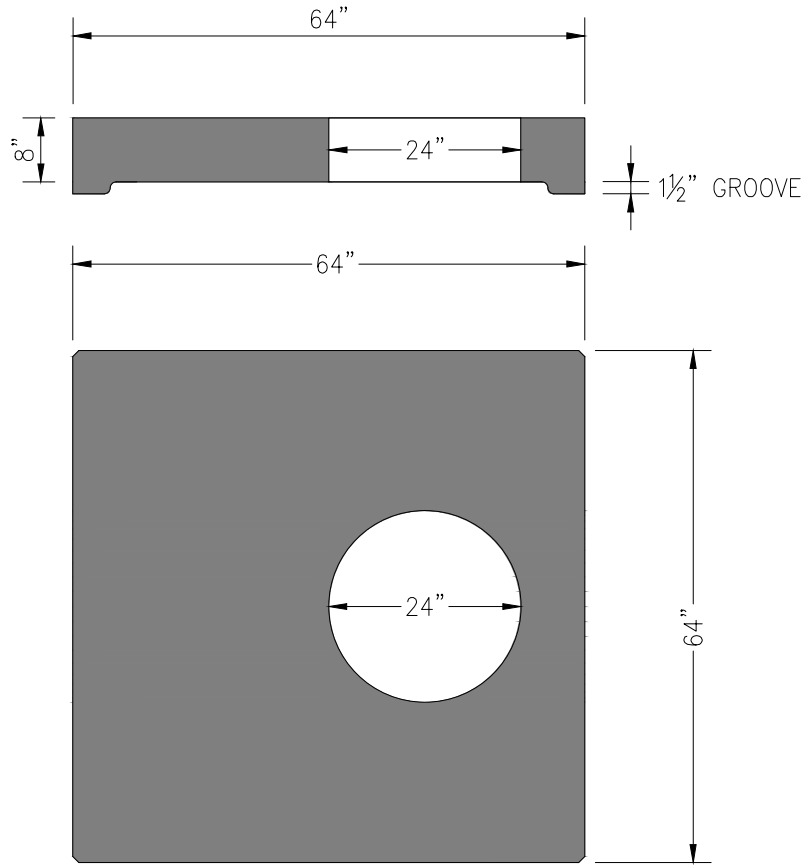


CONC. WEIGHT & VOL.	
WEIGHT (LBS)	VOLUME (CY)
2,530	0.62



*** CUSTOM PRODUCT SIZES ARE AVAILABLE UPON REQUEST.
PLEASE CALL (865) 458-3998 FOR A TECHNICAL SERVICE REPRESENTATIVE.

GENERAL NOTES:

1. REINFORCING PER ASTM C913-08
2. CONCRETE STRENGTH: f'_c @ 28 Days = 5,000 psi
3. REINFORCING STEEL MEETS ASTM A-615, GRADE 60 WITH 1" MINIMUM CONCRETE COVER.

VANHOSECO PRECAST, LLC

244 BLAIR BEND DRIVE
LOUDON, TN 37774
Tel: (865) 458-3998



**48"x48" FLAT TOP
WITH 24"Ø OPENING**

SCALE: 1/2" = 1'-0"

FT30