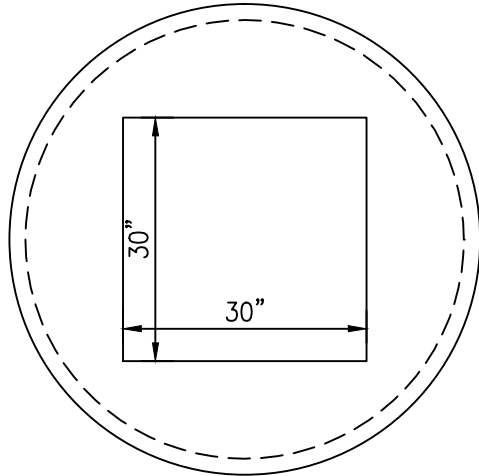


CONC. WEIGHT & VOL.		
DEPTH (IN.)	WEIGHT (LBS)	VOLUME (CY)
8	1368	0.34
9	1518	0.38
12	1972	0.49

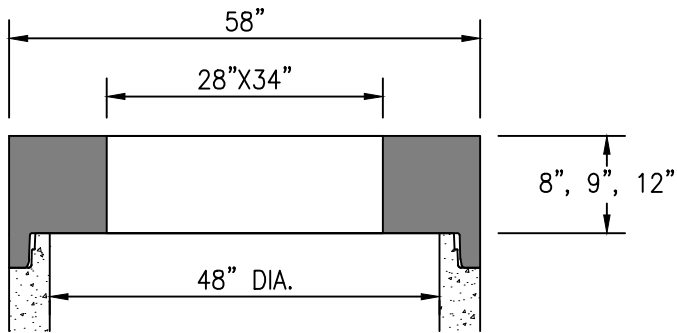


*** CUSTOM PRODUCT SIZES ARE AVAILABLE UPON REQUEST. PLEASE CALL (865) 458-3998 FOR A TECHNICAL SERVICE REPRESENTATIVE.

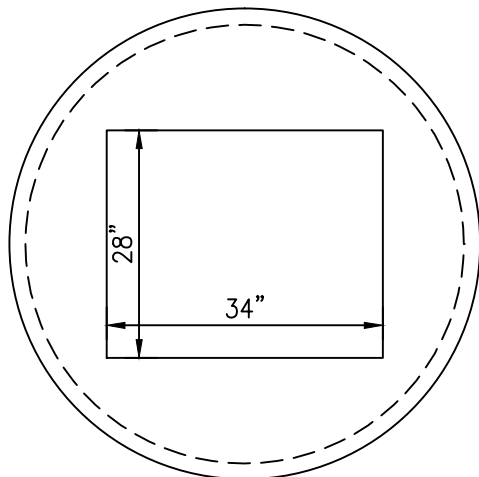
GENERAL NOTES:

1. ALL MATERIAL, DESIGN, MANUFACTURE, PHYSICAL TEST REQUIREMENTS, FINISH MARKING, INSPECTION, REJECTION AND REPAIRS TO MEET "SPECIFICATIONS FOR PRECAST - REINFORCED CONCRETE MANHOLE SECTIONS". PER ASTM C-478 (LATEST VERSION)

2. CONCRETE STRENGTH: f'_c @ 28 Days = 5,000 psi



CONC. WEIGHT & VOL.		
DEPTH (IN.)	WEIGHT (LBS)	VOLUME (CY)
8	1332	0.33
9	1479	0.37
12	1920	0.47



48"Ø FLAT TOP WITH
30"x30" & 28"x34"
OPENINGS

SCALE: 1/2" = 1'-0"

FT29

VANHOSECO PRECAST, LLC

244 BLAIR BEND DRIVE
LOUDON, TN 37774
Tel: (865) 458-3998

