

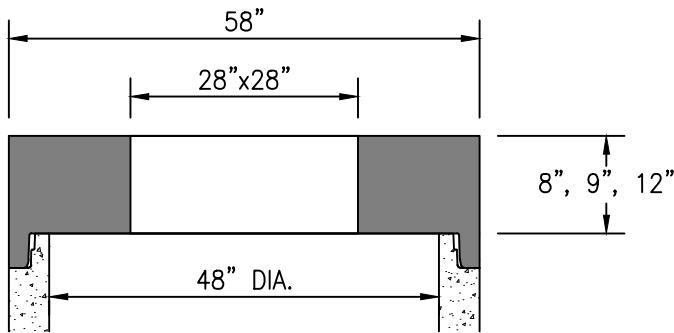
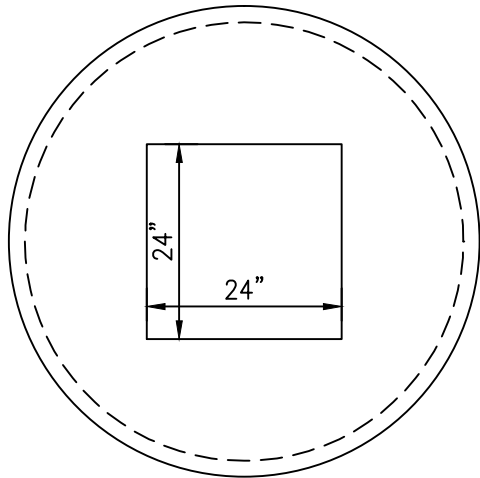
CONC. WEIGHT & VOL.		
DEPTH (IN.)	WEIGHT (LBS)	VOLUME (CY)
8	1593	0.39
9	2047	0.51
12	3409	0.84

*** CUSTOM PRODUCT SIZES ARE AVAILABLE UPON REQUEST. PLEASE CALL (865) 458-3998 FOR A TECHNICAL SERVICE REPRESENTATIVE.

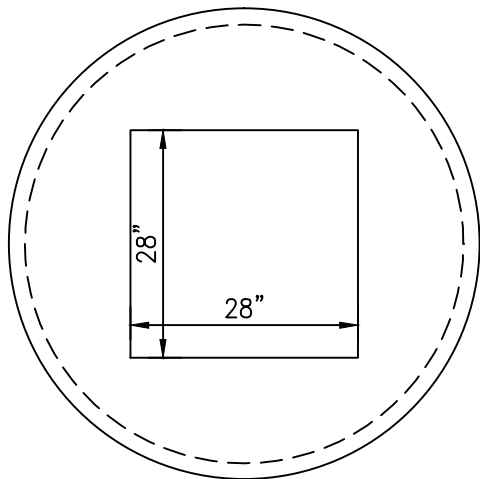
GENERAL NOTES:

1. ALL MATERIAL, DESIGN, MANUFACTURE, PHYSICAL TEST REQUIREMENTS, FINISH MARKING, INSPECTION, REJECTION AND REPAIRS TO MEET "SPECIFICATIONS FOR PRECAST - REINFORCED CONCRETE MANHOLE SECTIONS". PER ASTM C-478 (LATEST VERSION)

2. CONCRETE STRENGTH: f'_c @ 28 Days = 5,000 psi



CONC. WEIGHT & VOL.		
DEPTH (IN.)	WEIGHT (LBS)	VOLUME (CY)
8	1448	0.36
9	1885	0.47
12	3193	0.79



VANHOSECO PRECAST, LLC

244 BLAIR BEND DRIVE
LOUDON, TN 37774
Tel: (865) 458-3998



48"Ø FLAT TOP WITH
24"x24" & 28"x28"
OPENINGS

SCALE: 1/2" = 1'-0"

FT28