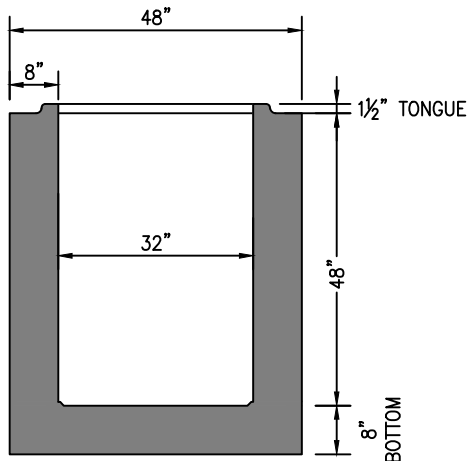
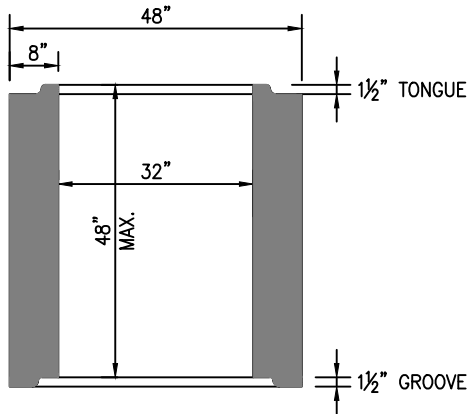


PLAN VIEW



TOP LID

HEIGHT (IN.)	WEIGHT (LB.)
8	1200

RISER WEIGHT

HEIGHT (IN.)	WEIGHT (LB.)
10	1111
24	2670
30	3333
36	4000
42	4667
48	5333

BASE WEIGHT

HEIGHT (IN.)	WEIGHT (LB.)
24	3867
30	4533
36	5200
42	5867
48	6533

*** CUSTOM PRODUCT SIZES ARE AVAILABLE UPON REQUEST. PLEASE CALL (865) 458-3998 FOR A TECHNICAL SERVICE REPRESENTATIVE.



NPCA

CERTIFIED PLANT

GENERAL NOTES:

1. ALL MATERIAL, DESIGN, MANUFACTURE, PHYSICAL TEST REQUIREMENTS, FINISH MARKING, INSPECTION, REJECTION AND REPAIRS TO MEET ASTM C913, C857, AND C890 (CURRENT EDITIONS)
2. CONCRETE STRENGTH: f'_c @ 28 Days = 5,000 psi
3. EXPOSED EDGES HAVE A $\frac{3}{4}$ " CHAMFER
4. REINFORCING STEEL MEETS ASTM A-615, GRADE 60 WITH 1" MINIMUM CONCRETE COVER.

VANHOSECO PRECAST, LLC

244 BLAIR BEND DRIVE
LOUDON, TN 37774
Tel: (865) 458-3998



32"x32" CATCH BASIN

SCALE: 3/8" = 1'-0"

CB5