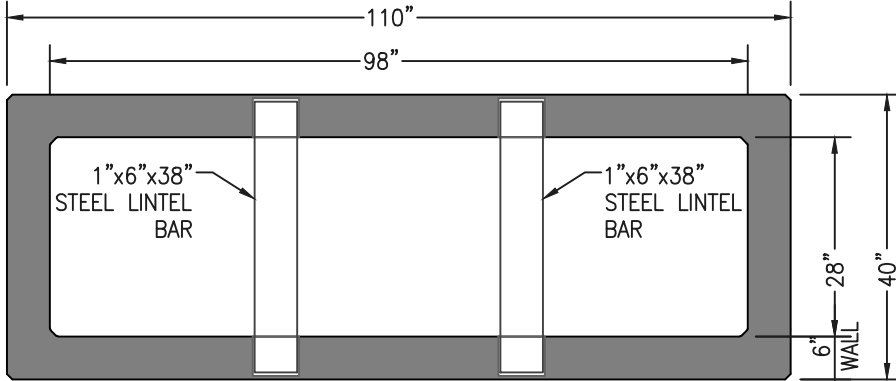


LINTEL BARS BY OTHERS (IF REQUIRED)



PLAN VIEW

TOP LID

HEIGHT (IN.)	WEIGHT (LB.)
6	1430

RISER WEIGHT

HEIGHT (IN.)	WEIGHT (LB.)
12	1734
24	3459
30	4322
36	5185
48	6909

BASE WEIGHT

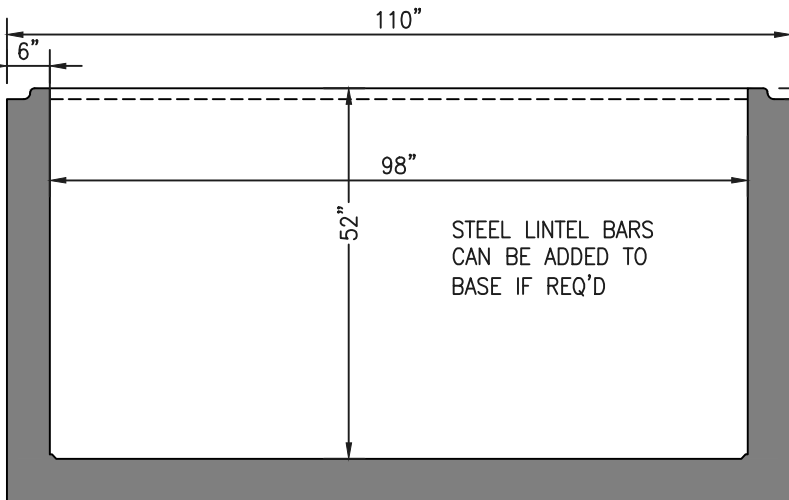
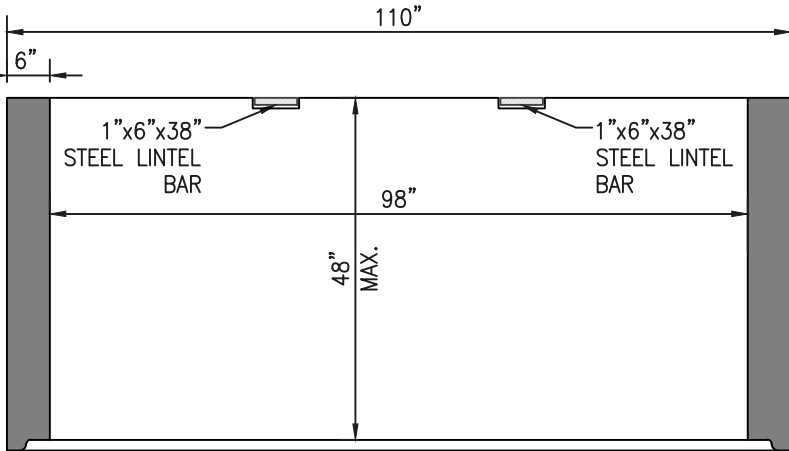
HEIGHT (IN.)	WEIGHT (LB.)
52	9776

\*\*\* CUSTOM PRODUCT SIZES ARE AVAILABLE UPON REQUEST. PLEASE CALL (865) 458-3998 FOR A TECHNICAL SERVICE REPRESENTATIVE.



**NPCC**

CERTIFIED PLANT



GENERAL NOTES:

1. ALL MATERIAL, DESIGN, MANUFACTURE, PHYSICAL TEST REQUIREMENTS, FINISH MARKING, INSPECTION, REJECTION AND REPAIRS TO MEET ASTM C913, C857, AND C890 (CURRENT EDITIONS)
2. CONCRETE STRENGTH:  $f'_c$  @ 28 Days = 5,000 psi
3. EXPOSED EDGES HAVE A  $\frac{3}{4}$ " CHAMFER
4. REINFORCING STEEL MEETS ASTM A-615, GRADE 60 WITH 1" MINIMUM CONCRETE COVER.

28"x98" CATCH BASIN

SCALE: 1/2" = 1'-0"

CB12



**VANHOUSECO PRECAST, LLC**

244 BLAIR BEND DRIVE  
LOUDON, TN 37774  
Tel: (865) 458-3998