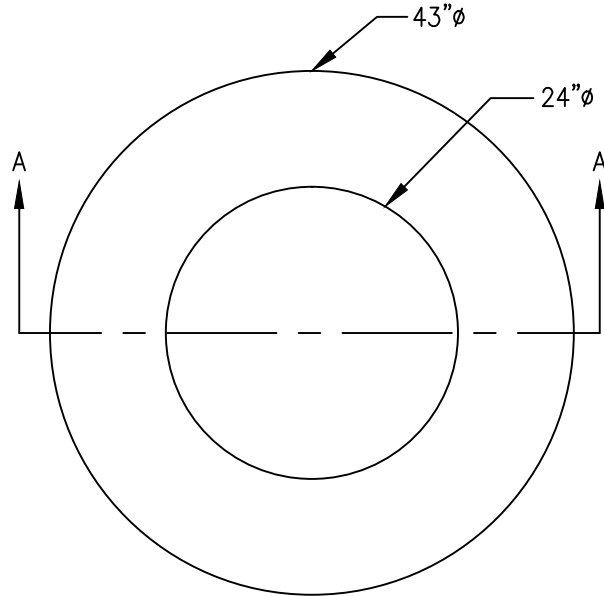
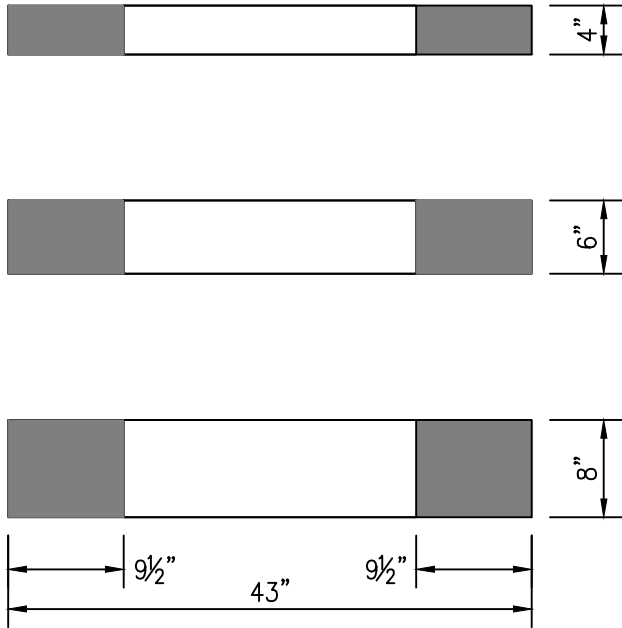


24"Ø GRADE RING		
HEIGHT	WEIGHT (LBS)	VOL. (CY)
4"	347	0.09
6"	521	0.13
8"	694	0.17



SECTION A-A

*** CUSTOM PRODUCT SIZES ARE AVAILABLE UPON REQUEST.
PLEASE CALL (865) 458-3998 FOR A TECHNICAL SERVICE REPRESENTATIVE.

GENERAL NOTES:

1. ALL MATERIAL, DESIGN, MANUFACTURE, PHYSICAL TEST REQUIREMENTS, FINISH MARKING, INSPECTION, REJECTION AND REPAIRS TO MEET "SPECIFICATIONS FOR PRECAST - REINFORCED CONCRETE MANHOLE SECTIONS". PER ASTM C-478 (LATEST VERSION)
2. CONCRETE STRENGTH: $f'c$ @ 28 Days = 5,000 psi
3. VERTICAL MANHOLE STEPS SHALL BE CONSISTENTLY SPACED AND SHALL COMPLY WITH OSHA (SUBPART D) "FIXED LADDERS" (SECTION 1920-27_ AND /OR ASTM C-478



NPCA

CERTIFIED PLANT

VANHOSECO PRECAST, LLC

244 BLAIR BEND DRIVE
LOUDON, TN 37774
Tel: (865) 458-3998



24"Ø GRADE RING

SCALE: 3/4" = 1'-0"

GR1