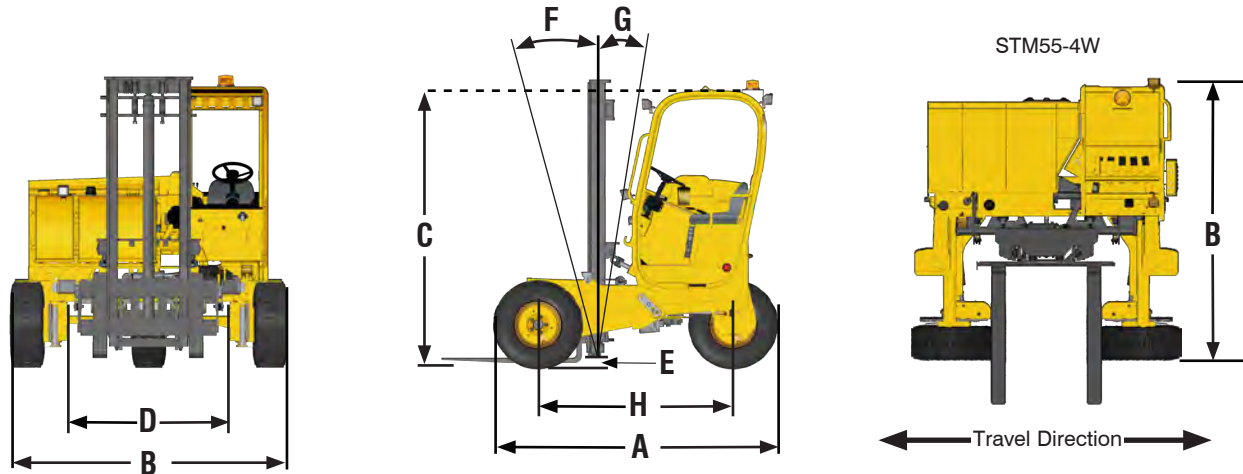


# STM TRUCK MOUNTED FORKLIFT



| Model                                  | Ref | STM55                               | STM55P             | STM55-4W           | STM70              |
|--|-----|-------------------------------------|--------------------|--------------------|--------------------|
| Lift capacities @ 24" load center      |     | 5,500 lbs/2,500 kg                  |                    |                    | 7,000 lbs/3,175 kg |
| Base operating weight (without forks)* |     | 6,560 lbs/2,976 kg                  | 7,590 lbs/3,443 kg | 8,285 lbs/3,758 kg | 6,690 lbs/3,035 kg |
| Overall length (without forks)         | A   | 102"/2,591 mm                       | 105.5"/2,680 mm    | 99"/2,515 mm       | 105.5"/2,680 mm    |
| Overhang                               |     | 63"/1,600 mm                        | 73"/1,854 mm       | 62"/1,575 mm       | 67"/1,702 mm       |
| Overall width                          | B   | 100"/2,540 mm                       |                    | 101"/2,565 mm      | 100"/2,540 mm      |
| Height to top of OHG                   | C   | 96"/2,438 mm                        |                    | 98"/2,489 mm       | 96"/2,438 mm       |
| Frame opening                          | D   | 60"/1,524 mm                        |                    | 58.5"/1,486 mm     | 60"/1,524 mm       |
| Outside turning radius (standard)      |     | 120"/3,048 mm                       |                    |                    | 123"/3,124 mm      |
| Mast sideshift                         |     | 6"/152 mm                           |                    |                    |                    |
| Mast underclearance                    | E   | 12"/305 mm                          |                    | 8"/203 mm          | 12"/305 mm         |
| Mast tilt - forward                    | F   | 12°                                 |                    |                    |                    |
| Mast tilt - rearward                   | G   | 8°                                  |                    |                    |                    |
| Gradeability                           |     | 25%                                 |                    |                    |                    |
| Wheelbase                              | H   | 66"/1,676 mm                        | 74"/1,880 mm       | 67"/1,702 mm       | 74"/1,880 mm       |
| Tire size                              |     | 31.5 - 15.5 - 15                    |                    | 31.5 - 13 - 16.5   | 31.5 - 15.5 - 15   |
| Engine build/model                     |     | Kohler KDI 1903TCR Tier 4 compliant |                    |                    |                    |
| Engine type                            |     | Diesel, turbocharged, electronic    |                    |                    |                    |
| Cylinders                              |     | 3                                   |                    |                    |                    |
| Engine output                          |     | 56 hp                               |                    |                    |                    |
| Transmission type                      |     | Hydrostatic                         |                    |                    |                    |

*Because of our constant dedication to product improvement, all specifications are subject to change without notice.  
-All Sellick truck-mounted forklifts meet or exceed ANSI/IITSDF B56.14 - 2015 Standards for Vehicle Mounted Forklift Trucks.-*



**Sellick Equipment Limited**

P.O. Box 1000/358 Erie Street North  
Harrow, Ontario, Canada N0R 1G0  
519-738-2255 • sellick@mnsi.net  
Visit us at [www.sellickequipment.com](http://www.sellickequipment.com)



Sold & serviced by: